



AIR-TO-WATER HEAT EXCHANGERS

WCHE MODELS

# INSTRUCTION MANUAL

# TABLE OF CONTENTS

HOW TO CONSULT THIS MANUAL .....	2
THIS MANUAL IS INTENDED FOR THE FOLLOWING:.....	3
PURPOSE OF THE INFORMATION CONTAINED IN THIS MANUAL.....	3
RESTRICTIONS TO THE USE OF THIS MANUAL.....	3
WHERE AND HOW TO STORE THIS MANUAL.....	3
CURRENT TECHNOLOGY .....	3
UPDATES.....	3
IN THE EVENT OF SALE OF THE PRODUCT .....	3
UNPACKING AND INSPECTION.....	4
Included in the carton:.....	4
UNIT IDENTIFICATION.....	4
SAFETY REMARKS .....	5
PRECAUTIONS WHEN HANDLING THE UNIT .....	5
OPERATING PRINCIPLE.....	6
COOLING CAPACITY.....	7
Performance Data WCHE019 Series.....	7
Design Data WCHE019 Series.....	8
Performance Data WCHE049 Series.....	9
Design Data WCHE049 Series.....	10
Performance Data WCHE069 Series.....	11
Design Data WCHE069 Series.....	12
Performance Data WCHE149 Series.....	13
Design Data WCHE149 Series.....	14
INSTALLATION INSTRUCTIONS.....	15
Installation.....	15
WATER CONNECTIONS.....	16
MECHANICAL PARTS.....	18
STRUCTURE.....	18
HEAT EXCHANGE BANK.....	18
CONDENSATE COLLECTION BASIN.....	18
FLOW CONTROL SOLENOID VALVE.....	18
MOTORS.....	19
FANS.....	19
CONTROL, MONITORING AND SAFETY COMPONENTS .....	19
REGULATING THERMOSTAT FOR SOLENOID VALVE.....	19
Adjustments.....	19
ELECTRICAL CONNECTIONS .....	20
WCHE019 only.....	20
WCHE049, WCHE069, WCHE149.....	21
START-UP.....	21
TEMPERATURE CONTROL.....	21
PRELIMINARY CHECKS AFTER STARTING THE UNIT .....	21
TURNING OFF THE UNIT.....	21
MAINTENANCE.....	22
PREVENTATIVE MAINTENANCE SCHEDULE.....	22
Twice a year.....	22
Annually.....	22
REPLACEMENT OF COMPONENTS.....	22
HOW TO CLEAN THE UNIT .....	22
INACTIVITY .....	22
INFORMATION ON RESIDUAL HAZARDS AND EMERGENCY SITUATIONS.....	23
GENERAL SAFETY PROVISIONS.....	23
HAZARDS ARISING FROM THE PRODUCT COMING INTO CONTACT WITH THINGS OR PERSONS.....	23
SAFETY STANDARDS FOR ELECTRICAL EQUIPMENT.....	23
Introduction.....	23
TASKS ASSIGNED TO OFFICERS-IN-CHARGE.....	23
HIGH VOLTAGE.....	23
SAFETY STANDARDS TO COMPLY WITH WHEN THE EQUIPMENT IS TURNED OFF .....	24
SAFETY STANDARDS TO COMPLY WITH WHEN SERVICING LIVE EQUIPMENT .....	24
SAFETY STANDARDS TO COMPLY WITH WHEN SERVICING THE UNIT.....	24
FIRE HAZARDS.....	24
TOXIC SUBSTANCES.....	24
DANGERS ARISING FROM FLUIDS.....	24
DISASSEMBLING THE UNIT.....	25
TROUBLE SHOOTING.....	26
Symptoms and Possible Causes:.....	26
Replacement Parts.....	27
WARRANTY .....	30
RETURN AND REPAIR POLICY.....	30
LIMITATION OF LIABILITY.....	31

**NOTE: Please read this manual carefully before installing the unit. This user manual is an integral part of the product and should accompany it until it is eventually disassembled.**

## HOW TO CONSULT THIS MANUAL

This document contains general information applicable to all models. In the event of any information updates becoming necessary, such updates shall be inserted in the enclosures.

### THIS MANUAL IS INTENDED FOR THE FOLLOWING:

- Owner of the appliance
- Person responsible for its installation
- Person responsible for managing the product
- Person responsible for ordinary maintenance
- Person responsible for its disassembly

### PURPOSE OF THE INFORMATION CONTAINED IN THIS MANUAL:

- CORRECT HANDLING: performed by unskilled personnel
- CORRECT INSTALLATION: performed by skilled personnel
- CORRECT MANAGEMENT: performed by skilled personnel
- CORRECT MAINTENANCE: performed by skilled personnel
- CORRECT ORDER FOR SPARE PARTS: CORRECT DISPOSAL OF THE PRODUCT: made by skilled personnel

### RESTRICTIONS TO THE USE OF THIS MANUAL

They apply to any operations that must be performed by highly skilled personnel.

### WHERE AND HOW TO STORE THIS MANUAL

Inside the electric cabinet or together with any other literature concerning the equipment which utilizes the product, provided it is a dry and clean place.

In the event of the manual being misplaced or damaged, the customer may require, for a fee, a new manual, by quoting the model and serial number shown on the technical name- plate, by contacting:

**nVent**  
**2100 Hoffman Way**  
**Anoka, MN 55303 USA**  
**☎ +1.763.422.2211**  
**📠 +1.763.576.3200**

### CURRENT TECHNOLOGY

This manual reflects the state of the art existing at the time the product is marketed and shall not be deemed to be inadequate for the sole reason that it has not been updated as a result of any new experience.

### UPDATES

nVent Equipment Protection reserves the right to update the product and relevant manual without being required to update previous products and manuals other than in exceptional circumstances. To require or receive any updates of the instructions manual or amendments thereto, which shall be deemed to be an integral part of the manual, please contact nVent Equipment Protection.

Any suggestions or recommendations made by installers or users of the product for the purpose of improving the product or the contents of this manual, will be greatly appreciated by the Manufacturer.

### IN THE EVENT OF SALE OF THE PRODUCT

Please advise nVent Equipment Protection of the address of the new owner so as to enable the dispatch of any updates to the manual, otherwise nVent Equipment Protection shall be relieved of any subsequent liabilities.

## UNPACKING AND INSPECTION

Hoffman® cooling branded products are shipped ex-works. All units have been individually inspected and carefully packaged.

Immediately inspect the unit upon receipt, making sure it has been shipped in its proper position. Note improper shipment on the shipping document. We recommend accepting merchandise subject to inspection.

Check for damage and, if any, note this immediately on the shipping document.

Remove packing and check that the exterior casing is not scratched, marked or have signs of blows and that no components are missing.

Before throwing the packaging away, check that it does not contain documents or additional parts of the unit.

Any damage that is encountered must be communicated to the carrier by registered letter within 8 days of receipt.

The carrier is responsible for any damage caused during shipment.

nVent Equipment Protection is not responsible for damage caused to the merchandise by the shipper but will do all in its power to assist customers in these situations.

### INCLUDED IN THE CARTON:

- Heat Exchanger
- Mounting fastener kit
- Mounting gasket
- G-NPT Adapting Valves (2)
- User Manual

**NOTE: This product may not be returned without prior written approval by nVent Equipment Protection.**

**NOTE: If installation of the product is not immediately required or the product needs to be transported to its final destination, repackage it after your initial inspection, and store it in a safe place.**

## UNIT IDENTIFICATION

This unit can be correctly identified by the technical nameplate containing all the information for its correct use.

The technical name-plate is embossed on a plastic support which ensures high endurance of the text even in particularly difficult environments.

**Note: The serial number is required for any assistance or information concerning the unit described in this manual.**

## **SAFETY REMARKS**

Operation and maintenance of the heat exchangers can be dangerous if not carried out with the same care as given to other appliances that have moving parts and electric components next to water.

Only skilled personnel may repair, inspect or maintain the heat exchangers.

Before servicing this unit, refer to the instructions contained in this manual, check the data on the name-plate and follow any other precaution to ensure absolute safety.



### **WARNING**

Disconnect power before working on the unit.

## **PRECAUTIONS WHEN HANDLING THE UNIT**

Metal edges may be sharp. Be careful handling the unit, and always wear gloves.

# OPERATING PRINCIPLE

Hoffman cooling branded air-to-water heat exchangers are designed for cooling electric cabinets with either a Type 12 or IP55 protection and are suitable for operating in industrial environments. These models eliminate problems caused by high temperatures of the cabinet and prevent dirt and dust from penetrating inside the electric board.

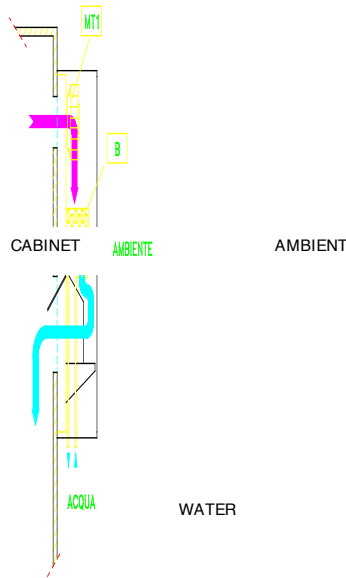
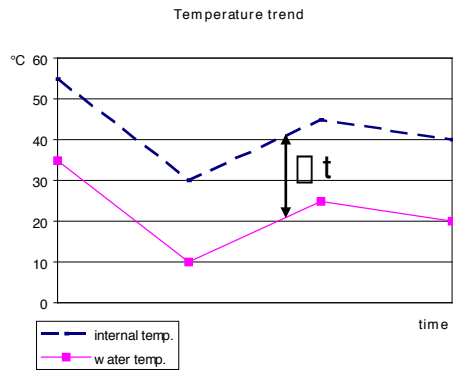
**! CAUTION**

It is required that the water temperature be lower than the cabinet temperature for the air-to-water heat exchanger to work properly.

Cooling water, a constant flow of which must be furnished by the user at a temperature that is lower than the temperature in the cabinet, passes through the tubes in a heat exchanger with copper tubes and aluminum fins and back into the cabinet.

Heat is transferred through the walls of the copper tubes, exchanging heat from the fins to the cold water so that the air exits cooler and the water hotter.

**Note: The greater the difference between these two temperatures the more heat is exchanged.**



## COOLING CAPACITY

This depends on the specific exchange factor of the heat exchanger (indicated on the label) and the temperature difference between the interior of the cabinet and the cooling water.

### FOR EXAMPLE:

Model: WCHE04916

Capacity noted on label: 2200W @ 25 C  $\Delta$ T

Specific heat transmission: 2200 / 25 = 88W/°C

### Application:

Maximum internal cabinet temperature desired: 40 C

Maximum estimated water temperature: 20 C

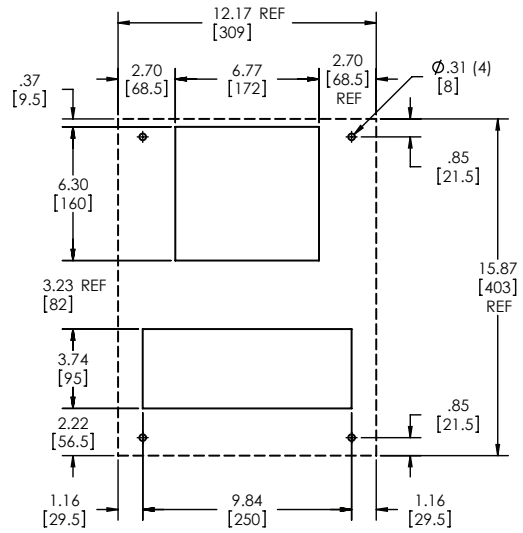
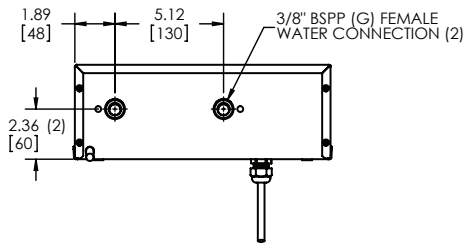
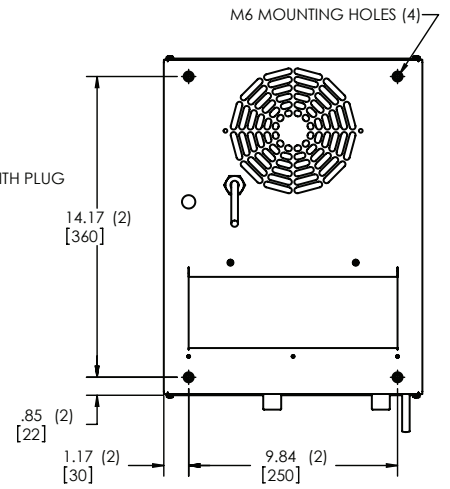
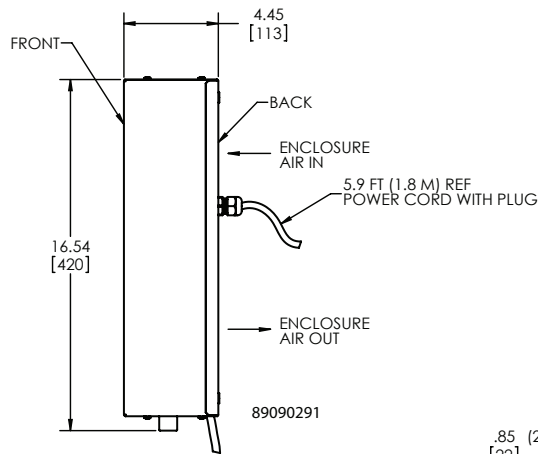
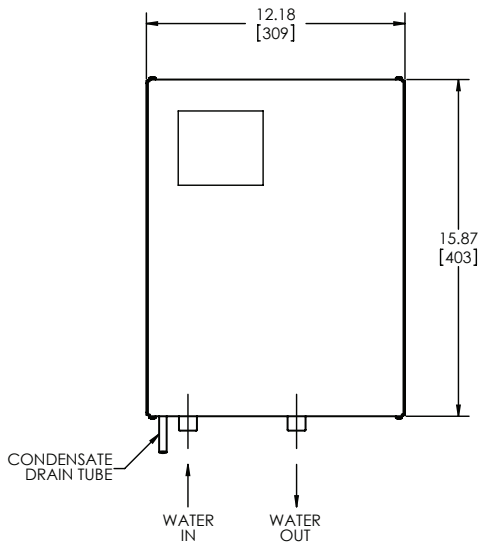
$\Delta$ T Difference: 20 C

Cooling capacity: 88 x 20 = 1760W

## PERFORMANCE DATA WCHE019 SERIES

Parameter	Units	WCHE01916002	WCHE01926002
Voltage / Phase / Frequency	V/ph/Hz	115/1/50-60	230/1/50-60
Cooling capacity L35W10 (25°C dT)	W	870	
Power absorbed	W	28	
Current absorbed	A	0.5	
Max airflow through heat exchanger	CFM (m3/h)	118 (200)	
Recommended water flow	gpm (l/h)	0.66 (150)	
Pressure drop at recommended water flow	psi (kPa)	0.3 (2)	
Max water pressure	psi (kPa)	73 (500)	
Water connections (using valves)	NPT	3/8 inch	
Operating temperature Min/Max	°F (°C)	50/122 (10/50)	
Noise level (measured at 1m)	dB(A)	58	
Duty cycle	%	100	
Protective system side cabinet		Type 12 / IP55	
Protective system side ambient		IP55	
Weight	lb (kg)	20 (9)	
Electrical connection		6 foot (1.8m) cord with NEMA 5-15P	6 foot (1.8m) cord with NEMA 6-15P

# DESIGN DATA WCHE019 SERIES



CUTOUT

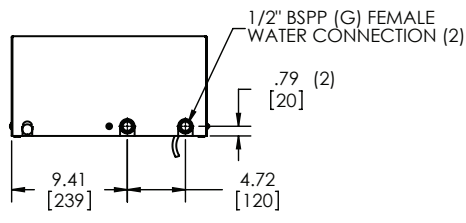
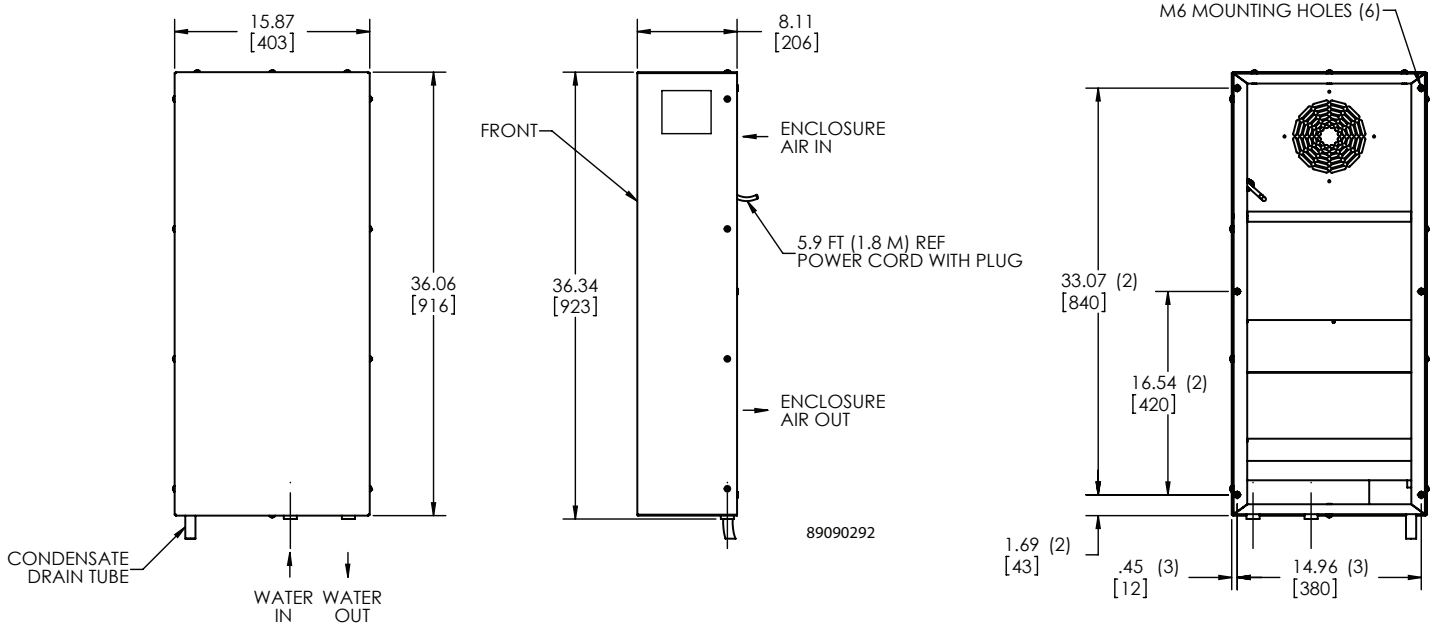
NOTES:  
1. "G" TO NPT ADAPTING VALVES ARE INCLUDED AND SHIPPED WITH THE UNIT.



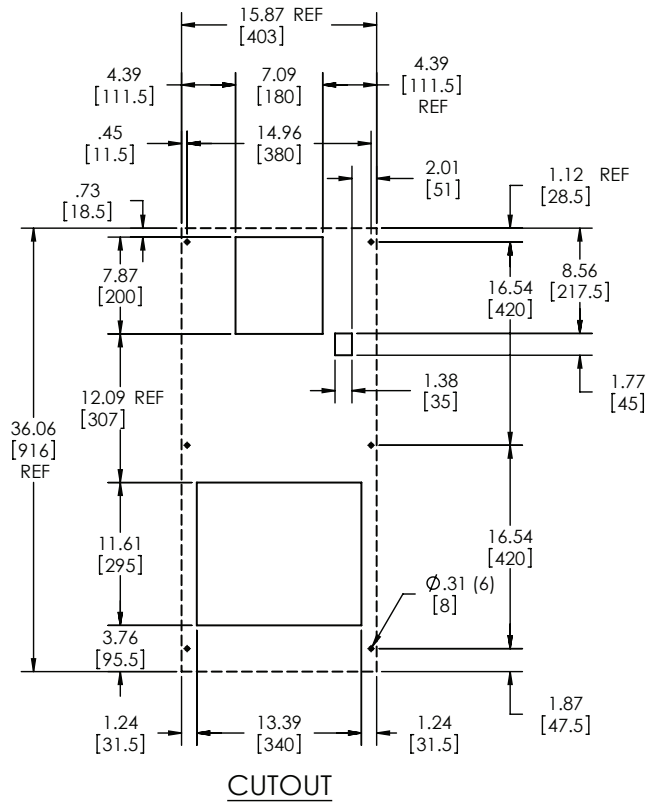
## PERFORMANCE DATA WCHE049 SERIES

Parameter	Units	WCHE04916002	WCHE04926002
Voltage / Phase / Frequency	V/ph/Hz	115/1/50-60	230/1/50-60
Cooling capacity L35W10 (25°C dT)	W	2200	
Power absorbed	W	90	
Current absorbed	A	0.8	
Max airflow through heat exchanger	CFM (m3/h)	247 (420)	
Recommended water flow	gpm (l/h)	0.66 (150)	
Pressure drop at recommended water flow	psi (kPa)	4.4 (30)	
Max water pressure	psi (kPa)	145 (1000)	
Water connections (using valves)	NPT	1/2 inch	
Operating temperature Min/Max	°F (°C)	50/122 (10/50)	
Noise level (measured at 1m)	dB(A)	58	
Protective system side cabinet		Type 12 / IP55	
Protective system side ambient		IP55	
Duty cycle	%	100	
Weight	lb (kg)	44 (20)	
Electrical connection		6 foot (1.8m) cord with NEMA 5-15P	6 foot (1.8m) cord with NEMA 6-15P

# DESIGN DATA WCHE049 SERIES



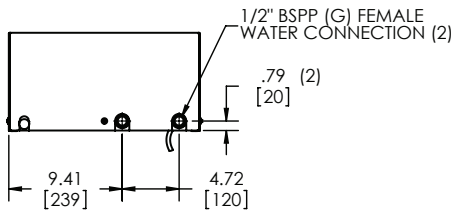
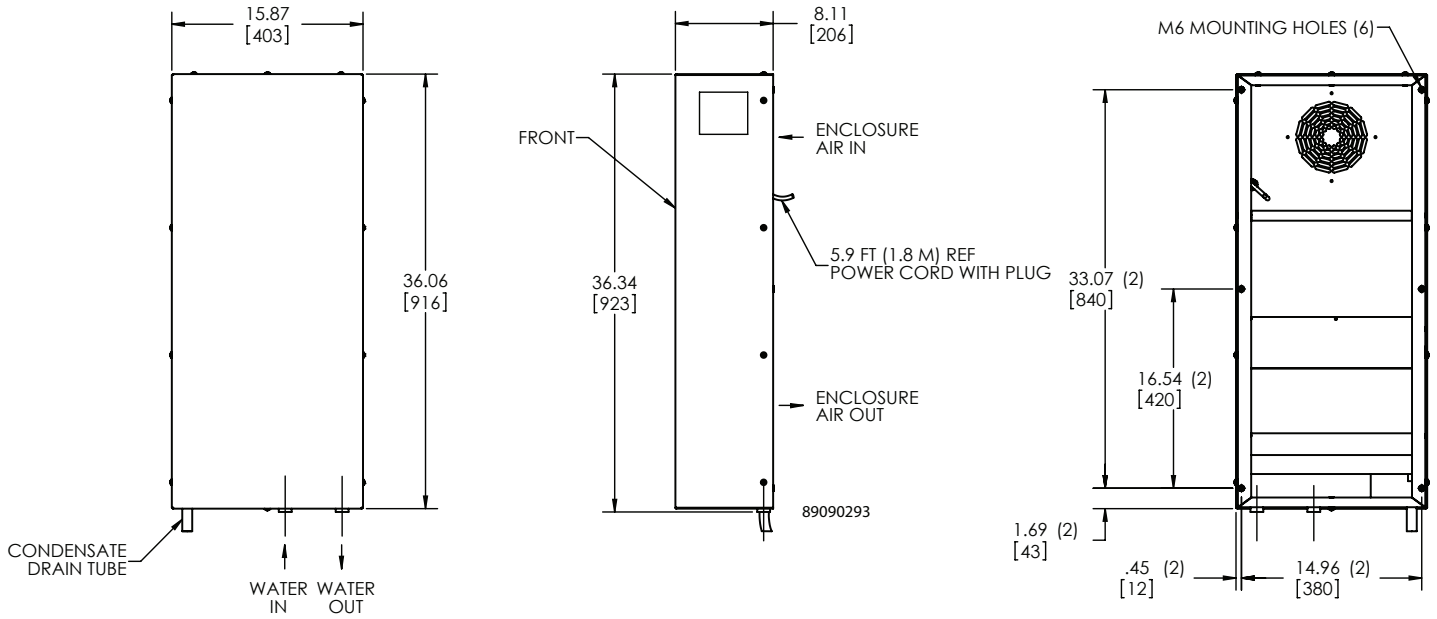
NOTES:  
 1. "G" TO NPT ADAPTING VALVES ARE INCLUDED AND SHIPPED WITH THE UNIT.



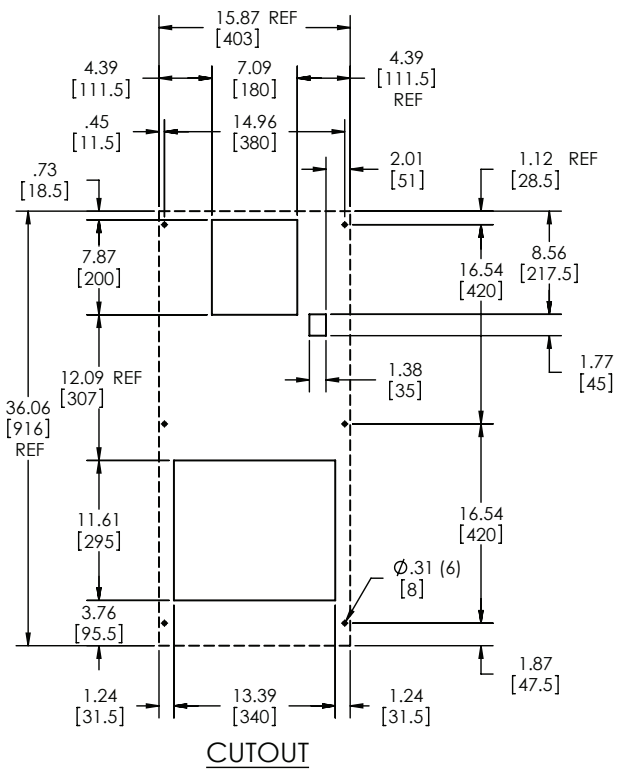
## PERFORMANCE DATA WCHE069 SERIES

Parameter	Units	WCHE06916002	WCHE06926002
Voltage / Phase / Frequency	V/ph/Hz	115/1/50-60	230/1/50-60
Cooling capacity L35W10 (25°C dT)	W	3100	
Power absorbed	W	115	
Current absorbed	A	1	
Max airflow through heat exchanger	CFM (m <sup>3</sup> /h)	265 (450)	
Recommended water flow	gpm (l/h)	2.2 (500)	
Pressure drop at recommended water flow	psi (kPa)	9.1 (63)	
Max water pressure	psi (kPa)	145 (1000)	
Water connections (using valves)	NPT	1/2 inch	
Operating temperature Min/Max	°F (°C)	50/122 (10/50)	
Noise level (measured at 1m)	dB(A)	58	
Protective system side cabinet		Type 12 / IP55	
Protective system side ambient		IP55	
Duty cycle	%	100	
Weight	lb (kg)	46 (21)	
Electrical connection		6 foot (1.8m) cord with NEMA 5-15P	6 foot (1.8m) cord with NEMA 6-15P

# DESIGN DATA WCHE069 SERIES



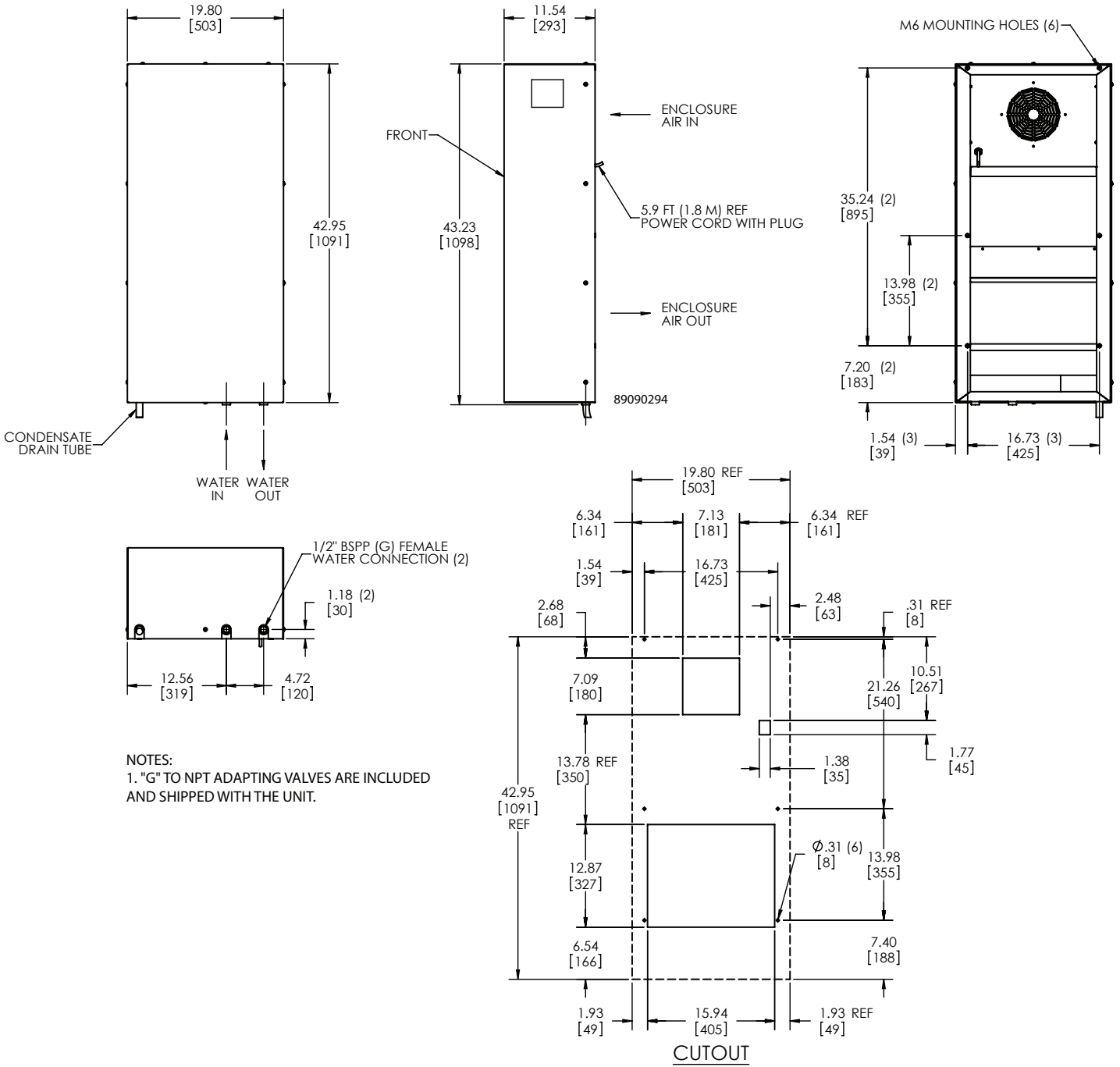
NOTES:  
 1. "G" TO NPT ADAPTING VALVES ARE INCLUDED AND SHIPPED WITH THE UNIT.



## PERFORMANCE DATA WCHE149 SERIES

Parameter	Units	WCHE14916002	WCHE14926002
Voltage / Phase / Frequency	V/ph/Hz	115/1/50-60	230/1/50-60
Cooling capacity L35W10 (25°C dT)	W	6700	
Power absorbed	W	200	245
Current absorbed	A	2	1.3
Max airflow through heat exchanger	CFM (m3/h)	500 (850)	
Recommended water flow	gpm (l/h)	3.8 (860)	
Pressure drop at recommended water flow	psi (kPa)	5.8 (40)	
Max water pressure	psi (kPa)	145 (1000)	
Water connections (using valves)	NPT	1/2 inch	
Operating temperature Min/Max	°F (°C)	50/122 (10/50)	
Noise level (measured at 1m)	dB(A)	58	
Protective system side cabinet		Type 12 / IP55	
Protective system side ambient		IP55	
Duty cycle	%	100	
Weight	lb (kg)	86 (39)	
Electrical connection		6 foot (1.8m) cord with NEMA 5-15P	6 foot (1.8m) cord with NEMA 6-15P

# DESIGN DATA WCHE149 SERIES



# INSTALLATION INSTRUCTIONS

Before installing, check the following:

- The cabinet is Type 12 or IP55 type, depending on the overall rating required
- There is enough room for an easy application and installation, both inside and outside the cabinet
- The cabinet is clean on the inside
- The cabinet is not in the vicinity of heat sources or warm air flows
- The inside of the cabinet allows a proper air circulation, preventing any recirculation
- There is enough clearance to remove the outer cover and access the components.

For wall-mount applications, the following safety instructions must be complied with:

- The heat exchanger must be installed as high as possible
- If it is installed on a door, make sure that the hinges are strong enough to support the unit
- Make sure that the electric cable does not get torn or damaged with the door closed
- If the depth of the heat exchanger blocks the entire door opening clearance, provide a door stop for it
- Cabinet panel must be flat and rigid to form a tight seal with the mounting gasket.

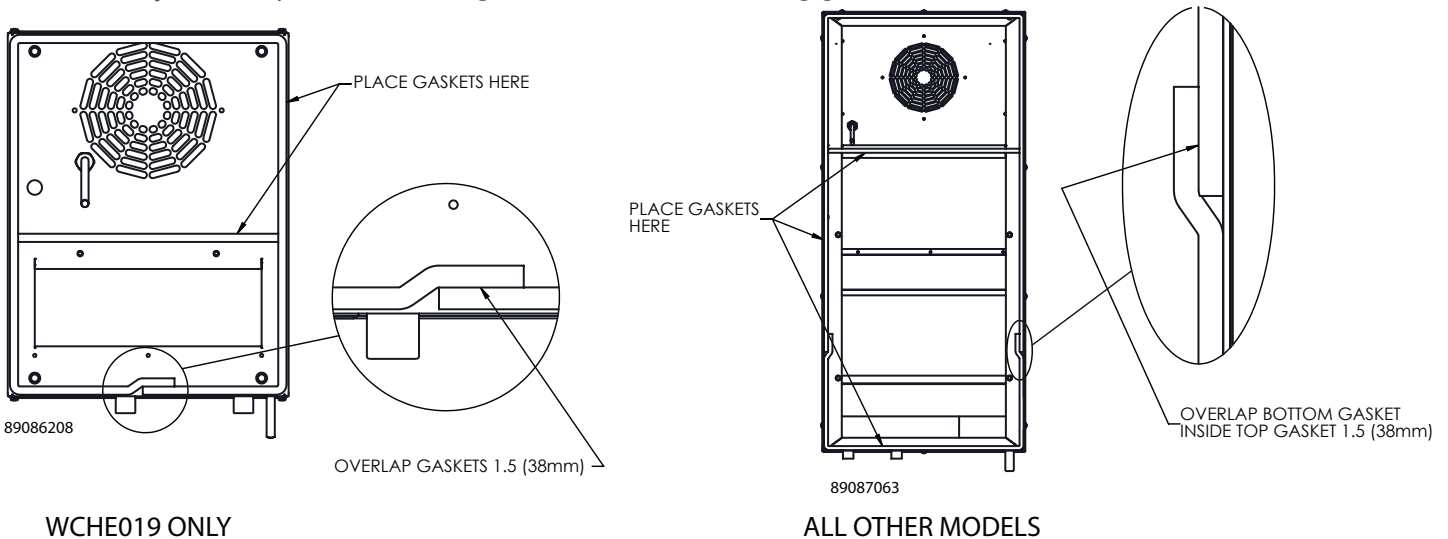
## INSTALLATION

**NOTE: Prior to drilling holes or making cuts on the cabinet, make sure that holes, screws, cables, etc. do not interfere with the equipment which has already been installed.**

1. Identify the proper cutout drawing for the model being installed. Paper templates (included with the unit) are marked with EXW## designations. The cross reference below indicates the template for each model. Cutout drawings are also shown in this manual.

Model	Template Marking
WCHE019	EXW06
WCHE049	EXW15
WCHE069	EXW25
WCHE149	EXW50

2. Make cuts on the cabinet panels by following the relevant template. Remove any chips, burrs or sharp edges.
3. Attach the adhesive gasket (included) to the mounting surface of the heat exchanger as shown.
4. Place the heat exchanger against the cabinet and secure it with the appropriate screws (included). Verify cabinet panel forms a tight seal with the mounting gasket.



FIELD APPLICATION OF MOUNTING GASKET

## WATER CONNECTIONS

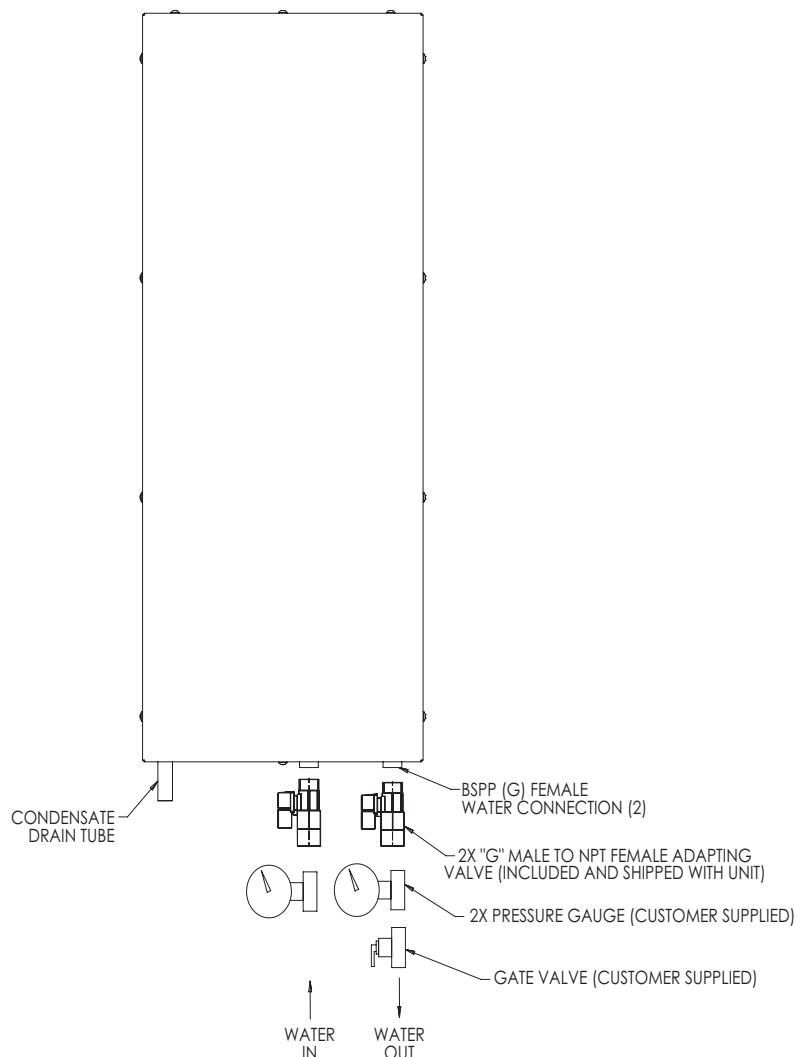
1. Make plumbing connections using the on/off valves included. Use thread tape on the valve threads when making these connections. The connections on the unit are 'G' thread. 'G' to NPT adapting valves are included. Do not connect NPT fittings directly to the heat exchanger, as the threads are not compatible and the connection will leak.

**Note: Once unit is connected to water, PROTECT THE UNIT FROM FREEZING. Even after it is disconnected, the heat exchanger will hold water and could be severely damaged by freezing temperatures.**

2. Make sure the pressure in the plumbing circuit does not exceed admissible values.
3. Introduce water into the circuit, making sure there are no leaks from pipelines.
4. Install an inlet and an outlet pressure gauge on the plumbing circuit plus a gate valve.
5. This will permit you to control the speed of the water inside the heat exchange coil and avoid dangerous corrosion of the copper piping.
6. This is done by adjusting the gate valve so that the pressure gauges show a pressure difference that is approximately equal to the stated load losses.

**Note: If the unit contains a solenoid valve, it will allow flow of water only when the unit is powered and calling for cooling.**

**For example: WCHE06916 stated pressure drop: 9.1 psi. The difference between inlet-pressure value and out-pressure value ~9 psi.**





7. For correct use of the heat exchanger and to avoid corrosion, the water used for the heat exchanger must have hydrological values as listed:

Chemical parameters of the circuit water	
Characteristic	Parameter
Langelier index	$-0.2 < L < +0.4$
Chloride ions [Cl <sup>-</sup> ]	< 10 mg/l (ppm)
Sulfate ions [SO <sub>4</sub> <sup>2-</sup> ]	< 30 mg/l (ppm)
Nitrates and nitrites[NO <sub>3</sub> <sup>-</sup> ]	< 30 mg/l (ppm)
Iron	< 0.5 mg/l (ppm)
Cooper	< 0.5 mg/l (ppm)
Resistivity	2000 < R < 5000 Ohm cm
pH value	6.9 < pH < 8
Alkalinity [HCO <sub>3</sub> <sup>-</sup> ]	< 300 mg/l (ppm)
[Ca <sup>2+</sup> , Mg <sup>2+</sup> ] / [HCO <sub>3</sub> <sup>-</sup> ]	> 0.5
Oxygen	4 < [O <sub>2</sub> ] < 9 mg/l (ppm)
[CO <sub>2</sub> ]	< 30 mg/l (ppm)



## CAUTION

Failure to comply with these instructions, in addition to compromising proper machine operation, causes cancellation of guarantee coverage.

# MECHANICAL PARTS

## STRUCTURE

Made with self-supporting sheet metal panels, passivated and with primer coat to ensure good resistance to corrosion, easily inspected and at the same time giving suitable protection to internal components.

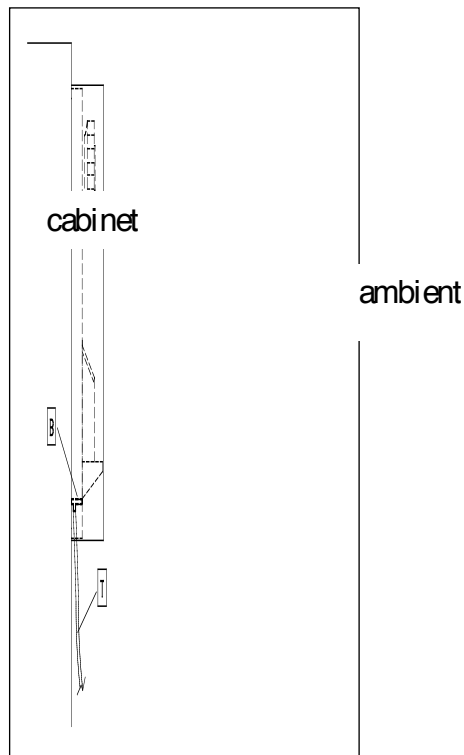
Components inside the structure are only accessible by removing the front cover. This is done by removing screws using appropriate tools.

## HEAT EXCHANGE BANK

This is where heat exchange takes place between cabinet air and cooling water. It is composed of copper pipes with aluminum fins.

## CONDENSATE COLLECTION BASIN

This is built into the unit's frame and is made of galvanized sheet or stainless steel. It comes standard with a condensate drain pipe that exits from the heat exchanger.



## FLOW CONTROL SOLENOID VALVE

This is a normally-closed two-way type (ON/OFF).

Controlled by an internal thermostat, this valve opens the flow of water when the preset temperature is reached. It stops the flow when cooling is no longer needed, or when power is disconnected from the unit.

# MOTORS

## FANS

Fans run full speed to constantly circulate enclosure air, they are not controlled by the thermostat.

These may be of different types depending on the model. They are either:

- multi-blade axial, with outside rotor on bearings, dynamically balanced.
- compact axial, on bearings
- radial, with plastic or metal rotor, on bearings

These fans are manufactured in accordance with Standard EN 60 335 1. They are treated with rust-inhibiting plastic materials, with class B insulation and class 1 protection.

The motor protection is IP44, in accordance with Standard DIN40500 whereas the safety degree complies with Standards DIN30110.

Noise levels are consistent with Standard DIN 45635.

# CONTROL, MONITORING AND SAFETY COMPONENTS

## REGULATING THERMOSTAT FOR SOLENOID VALVE

This is a gas-loaded mechanical thermostat. It measures the air temperature entering the heat exchanger, and upon reaching the setpoint, activates the solenoid valve to open the flow of cooling water.

In some models the mechanical thermostat may be replaced with an electronic thermostat, whose specifications are outlined in the supplements to the manual.

## ADJUSTMENTS

To adjust the thermostat setting, first interrupt power to the unit. Remove the heat exchanger's front cover to access the thermostat.

The thermostat is set at 35 C (95 F) at the factory. It can be adjusted using a screwdriver to turn its pin. The thermostat can be set to temperatures from 20 C to 46 C (68 F to 115 F). Contact our service department for temperatures other than those in the pre-set range.

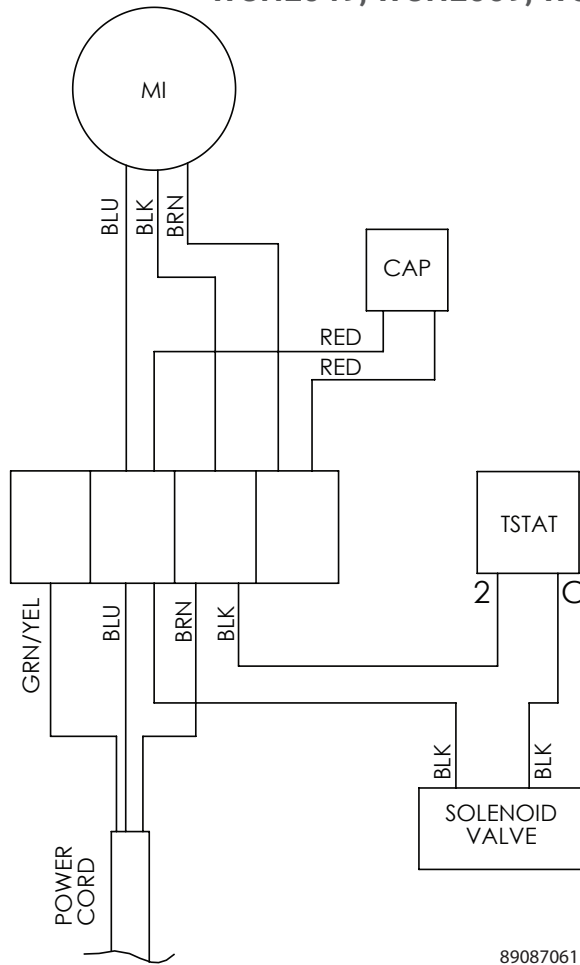
**Note: The thermostat has a 4 C (7 F) hysteresis, therefore the solenoid valve will open at a temperature 4 C (7 F) greater than the set temperature.**

Temperature Conversion	
°C	°F
20	68
25	77
30	86
35	95
40	104
45	113

After making the adjustment, replace the front cover and resupply voltage.



## WCHE049, WCHE069, WCHE149



### WIRE DIAGRAM

## START-UP

Power the heat exchanger by turning on the circuit breaker or switch installed upstream from the unit. Fan(s) will start up.

## TEMPERATURE CONTROL

This device performs its function only when the cooling water is flowing, and its temperature is lower than the air temperature in the cabinet. The bigger the temperature difference, the higher the cooling performance of the system.

## PRELIMINARY CHECKS AFTER STARTING THE UNIT

Check that the air inside the cabinet is circulating as evenly as possible.

Check the unit while operating and verify the supply voltage maintains its rated values.

Verify water is flowing at the prescribed rate (when thermostat calls for cooling).

## TURNING OFF THE UNIT

To turn off the unit, cut off the voltage to the system. The internal solenoid valve will automatically stop the water flow.

## MAINTENANCE

Moving parts are totally automatic and highly reliable and ordinary maintenance is reduced to a minimum. This maintenance, however, must be performed at the prescribed intervals.

Failure to perform maintenance compromises heat exchanger operation and durability and invalidates guarantee coverage.

## PREVENTATIVE MAINTENANCE SCHEDULE

### TWICE A YEAR

Check that the heat exchange bank and fan protection grilles are clean and that dirt does not prevent the passage of air.

Verify there are no abnormal noises during operation.

### ANNUALLY

Check that fan motors and other components do not show abnormal vibrations or show signs of overheating.

Check that water passage through the pipelines is not clogged by dirt.

## REPLACEMENT OF COMPONENTS

We recommend replacing fans every 40,000 operating hours (with mean temperature of 40 C / 104 F).

## HOW TO CLEAN THE UNIT

Open the unit by removing the panel fastening screws and clean it using compressed air.

To clean the heat exchange bank, blow compressed air in the direction opposite the flow of air that normally passes through it (blow with compressed air at pressures not exceeding 60 psi / 4 bar).

Clean the pipelines inside the heat exchange coil by circulating clean water with detergent designed to eliminate scale.

The detergent must not contain substances that can corrode copper.



### WARNING

Use of an unsuitable detergent could cause damage to the heat exchanger. Do not use acid or caustic substances to clean any part of the exchanger

## INACTIVITY

There is no problem as long as the liquid is expelled from the heat exchanger circuits and the pipelines are sealed.

# INFORMATION ON RESIDUAL HAZARDS AND EMERGENCY SITUATIONS

This unit has been designed to minimize any dangerous situations. Such situations arise mainly from an improper use of the product and the failure to comply with installation, use and maintenance standards. This information must be made known to all personnel operating this unit and in the proximity thereof.

## GENERAL SAFETY PROVISIONS

All personnel responsible for testing, operating and servicing this unit, must be familiar with the following safety provisions:

- Hazard tags and notices must be readily visible in any potential hazardous areas
- A monitoring service must be arranged in such hazardous areas
- Supervisors must keep in constant touch with monitors
- Transit areas, doorways and stairways, in proximity of the unit must be kept clear
- Emergency exits must be kept clear at all times.
- Slippery areas which are hazardous to personnel must be covered with anti-slip material.
- For any specific activity, specific tools and procedures must be used.
- Testing tools and equipment must be kept in good working order.
- Personnel must have a thorough knowledge of methods and procedures used in the event of a fire (make fire extinguishers readily accessible).
- The following steps must be taken at the outbreak of a fire:
  - » turn off the electric power supply from the part affected by fire
  - » increase ventilation capacity to evacuate combustion gases
  - » inform appropriate department.

## HAZARDS ARISING FROM THE PRODUCT COMING INTO CONTACT WITH THINGS OR PERSONS

- Danger point 1a) is fan movement. The fan's protective grille prevents passage of bodies with dimensions greater than 0.4 in / 10 mm.
- Danger point 1b) is accidental contact with the heat exchange bank which has aluminum fins with sharp cutting edges.
- Danger point 1c) is contact with sharp sheetmetal edges. Gloves should be worn and caution taken to avoid injury.

## SAFETY STANDARDS FOR ELECTRICAL EQUIPMENT

### INTRODUCTION

Causes of electrical hazards are well known and prevention is not difficult provided constant care is applied.

In order to reduce such risks, operators must be informed of potential hazards and trained on the use of safety procedures.

## TASKS ASSIGNED TO OFFICERS-IN-CHARGE

Officers-in-charge must be informed of any potential hazards existing in the system and must monitor electric equipment operators. This monitoring function involves identifying possible dangerous situations and investigating problems encountered by personnel during maintenance procedures.

Each faulty part must be repaired or replaced immediately.

An officer-in-charge must enforce the use of safety procedures without tolerating or accepting any shortcuts, as this can cause harm to persons and equipment.

## HIGH VOLTAGE

Contact with high voltage circuits can cause burns, shock, loss of consciousness and even the victim's electrocution.

This may happen due to lack of awareness of the dangers associated with the use of electrical equipment. The injury suffered by the human body depends on the amount of power as well as on the duration and path followed by the current inside the body.

## **SAFETY STANDARDS TO COMPLY WITH WHEN THE EQUIPMENT IS TURNED OFF**

Before servicing the equipment, disconnect all circuits.

Make sure that no voltage whatsoever is present in the circuit.

Clean and dry the whole area.

Remove pins, rings, brackets or any accessories which may hinder operations or turn into a potential electrical conductor.

Ground discharge to earth or short circuit the capacitor terminals connected with the deactivated circuit.

Remove the fuses only after the circuit has been deactivated.

## **SAFETY STANDARDS TO COMPLY WITH WHEN SERVICING LIVE EQUIPMENT**

Add the following provisions to those under items 2, 3 and 4 above:

- Personnel must never operate alone
- If possible, use only one hand to perform work required
- Check wires and instruments regularly
- Use only approved procedures to bypass the interlocks
- Ensure that operators are familiar with equipment parts and maintenance procedures, before servicing the unit
- Use a pair of safety gloves
- Open all contacts which feed power to the equipment before measuring resistance levels; verify there is no high voltage in the low voltage circuits
- Do not use magnetic tools RDXC in the proximity of strong magnetic fields

## **SAFETY STANDARDS TO COMPLY WITH WHEN SERVICING THE UNIT**

If continuous duty is not required, the system must be turned off. Before commencing work, the following is required:

- Check that the maintenance technician is not carrying any objects which may act as conductors
- Inspect the work area to make sure the floor is clean and dry
- Check work tools. They must be suitable for their designated task and in good working order to ensure safe maintenance operations
- Check that all gauges are regularly calibrated
- Check servicing procedures before commencing work by inspecting the wiring diagram and visualizing the system structure

When carrying out electrical maintenance operations, the following is required:

- The maintenance technician must be familiar with high voltage circuits
- No resistance measurements are to be carried out on live circuits
- Use only one hand to take measurements on live circuits
- Earth all instrument terminals before taking measurements on live circuits
- The above recommendations must be strictly adhered to

Maintenance operations shall be deemed to have been completed only when all parts have been re-installed and the product has regained its original appearance

## **FIRE HAZARDS**

No direct danger

## **TOXIC SUBSTANCES**

None

## **DANGERS ARISING FROM FLUIDS**

Danger only arises if the fluid is dispersed in the installation site. This creates danger for passage by persons.

The same danger exists if condensate, generated by the unit, is not collected and discharged to a suitable drain.



## DISASSEMBLING THE UNIT



### **WARNING**

Dismantling of this unit must always be done by expert personnel.

Make sure the electrical supply to the unit is interrupted before starting to dismantle it.

**Note:** The heat exchanger will hold water and could be severely damaged by freezing temperatures.

# TROUBLE SHOOTING

## SYMPTOMS AND POSSIBLE CAUSES:

SYMPTOM	POSSIBLE CAUSE
No part is working	No voltage to the unit
	Check that the power cord is plugged in securely
	Check the main voltage and make sure that the doors, switches and circuit breakers are closed
Fan is not working	Obstructed fan blades - Verify fan spins freely
	Fan faulty - Change the fan
	Fan capacitor (if any) faulty - Change the capacitor
The fans are working but no heat exchange takes place	Thermostat is set too high - Adjust thermostat to a lower temperature.
	Insufficient cooling fluid. - Check that the flow rate corresponds to the prescribed flow rate on the unit nameplate - Thermostat faulty - Solenoid valve faulty
	Water temperature too high - Check the water temperature
	Obstructed airflow in cabinet - Verify sufficient airflow

**For additional technical information, contact nVent Equipment Protection at 800-896-2665.**

## REPLACEMENT PARTS

<b>WCHE019</b>		
<b>Item</b>	<b>115 V Part Numbers</b>	<b>230 V Part Numbers</b>
Air Mover	26037	26032
Thermostat	26034	26034
Solenoid Valve	26038	26033
3/8 inch G-NPT Adapter Valve	26035	26035
Gasket (1 required)	26036	26036
<b>WCHE049</b>		
<b>Item</b>	<b>115 V Part Numbers</b>	<b>230 V Part Numbers</b>
Air Mover	26045	26041
Thermostat	26034	26034
Solenoid Valve	26046	26042
Capacitor	26047	26043
1/2 inch G-NPT Adapter Valve	26044	26044
Gasket (2 required)	26036	26036
<b>WCHE069</b>		
<b>Item</b>	<b>115 V Part Numbers</b>	<b>230 V Part Numbers</b>
Air Mover	26051	26048
Thermostat	26034	26034
Solenoid Valve	26046	26042
Capacitor	26052	26043
1/2 inch G-NPT Adapter Valve	26044	26044
Gasket (2 required)	26036	26036
<b>WCHE149</b>		
<b>Item</b>	<b>115 V Part Numbers</b>	<b>230 V Part Numbers</b>
Air Mover	26055	26053
Thermostat	26034	26034
Solenoid Valve	26046	26042
Capacitor	26054	26054
1/2 inch G-NPT Adapter Valve	26044	26044
Gasket (2 required)	26036	26036

# NOTES

# NOTES

## WARRANTY

nVent Equipment Protection warrants that the Goods manufactured by nVent Equipment Protection will be free from defects in material and workmanship for a period of one (1) year from the date of shipment by nVent Equipment Protection, subject to the following conditions and exclusions:

- A. Conditions. All Goods must be installed and operated according to the following specifications:
1. Maximum voltage variation no greater than plus or minus 10% of nameplate nominal rating;
  2. Maximum frequency variation no greater than plus or minus 3 Hz of nameplate nominal rating;
  3. Must not exceed minimum and maximum stated temperatures on the nameplate;
  4. Must not exceed (BTU/Hr) rating, including any heat sink as indicated on the nameplate;
  5. Refrigerant bearing Goods must not be restarted for a period of one (1) minute after intentional or accidental shut-off;
  6. The filters (if applicable) must be cleaned regularly;
  7. The Goods and any parts thereof must not be modified, unless prior written authorization is received from nVent Equipment Protection; and
  8. All Goods must be installed and grounded in accordance with all relevant electrical and safety codes, as well as the National Electric Code and OSHA rules and regulations.
  9. All Goods must be installed in a stationery application, free of vibration.

A violation of any one of these conditions shall render the warranty hereunder void and of no effect.

- B. Exclusions. This warranty shall be void if product is misapplied in any way or:
1. Buyer specified product is inappropriate for system or environment in which it is operating.
  2. Goods are not installed in accordance with nVent Equipment Protection specifications.
  3. Removal or modification of nVent Equipment Protection label affixed to product without written nVent Equipment Protection approval.

nVent Equipment Protection must be notified of a claim in writing not later than fourteen (14) days from the date when Buyer has become aware of such occurrence, or where the defect is such that it may cause damage, immediately, such notice containing a description of how the defect manifests itself. Failure to provide such prompt notice to nVent Equipment Protection shall result in forfeiture of Buyer's rights under this warranty.

In the event of a warranty claim, Buyer is to return defective goods to nVent Equipment Protection in accordance with nVent Equipment Protection Return Policy. Warranty period for repaired goods remains at 1 year from shipment of original goods. nVent Equipment Protection sole obligation to Buyer under this warranty will be, at nVent Equipment Protection option:

- A. Repair or replace nVent Equipment Protection products or parts found to be defective in material or workmanship.
- B. Issue credit for the purchase price paid by Buyer relating to such defective Goods or part.

THIS WARRANTY CONSTITUTES THE ENTIRE WARRANTY WITH RESPECT TO THE GOODS AND IS IN LIEU OF ALL OTHER WARRANTIES, EXPRESSED OR IMPLIED, INCLUDING ANY IMPLIED WARRANTY OF MERCHANTABILITY AND IMPLIED WARRANTY OF FITNESS FOR A PARTICULAR PURPOSE.

## RETURN AND REPAIR POLICY

nVent Equipment Protection products that: (i) are made to order, (ii) have been modified by Buyer, (iii) have special finishes, or (iv) are determined by nVent Equipment Protection to constitute "custom" products that cannot be returned to stock or resold to other Buyers, will not be accepted for return by nVent Equipment Protection.

All returns require a Return Material Authorization number (RMA #), regardless of reason for return, whether it be for warranty or out of warranty repair. Returns without an RMA # will be refused by our Receiving Department. An RMA # is valid for 30 days.

- A. An RMA # will be issued by our Product Return Department in Anoka, MN at 763-422-2211. Buyer should have following information available at time of RMA request:
1. Complete Model Number, Serial Number and description of damaged unit being returned.
  2. Original Buyer Purchase Order number and date product was received by Buyer.
  3. Quantity to be returned and a brief description of failure for each unit, if different.
  4. Contact information of Buyer that must include: name of company, billing and shipping address, phone, number, fax number, freight carrier and the name and phone number of a Buyer contact who can elaborate on the claimed defect in detail.
  5. Buyer must provide a Repair Purchase Order number for both warranty and out of warranty repairs. The PO will not exceed 50% of a new unit. Buyer will be notified of repair charges that exceed approved PO amount.
- B. All returns to nVent Equipment Protection must be securely packed, using original cartons if possible. All returns must have the RMA number visible on the outside of the carton. nVent Equipment Protection is not responsible for material damaged in transit. Any refrigerant-bearing Goods must be shipped upright for return.
- C. Shipping cost for all non-warranty repairs is the responsibility of the sender and must be shipped prepaid. Shipping costs for all warranty related repairs will be covered by nVent Equipment Protection provided the goods are returned using a nVent Equipment Protection approved carrier. If after diagnoses the product is determined by nVent Equipment Protection not be covered under warranty, Buyer will be responsible for all shipping charges and will be billed accordingly.
- D. Non-warranty repairs are subject to a \$105 minimum analysis fee. If approval is not received within 30 days, material will be scrapped and all shipping expenses and corresponding analysis fees will be billed to Buyer.
- E. At Buyer's request, Failure Analysis can be provided by nVent Equipment Protection for warrantable goods at no charge. Failure analysis for non-warranty repairs are subject to a \$150 per hour Engineering charge plus any other incurred testing costs.
- F. All returned merchandise must be sent to the following address: nVent Equipment Protection, 2100 Hoffman Way, Anoka, MN 55303-1745.
- G. Credit for accepted returns shall be at the original selling price or the current selling price, whichever is lower, less the restocking charge indicated as follows:
1. Within 60 days of invoice date - 20% of applicable selling price.
  2. Within 61-120 days of invoice date - 30% of applicable selling price.
  3. Within 121-180 days of invoice date - 40% of applicable selling price.
  4. Beyond 180 days - subject to individual review by nVent Equipment Protection.
- If product being returned for credit requires repair or modification, the cost of any labor or material necessary to bring product into saleable condition will be deducted from credit. Buyer may not take credit against returns without prior written nVent Equipment Protection approval.

## LIMITATION OF LIABILITY

NVENT EQUIPMENT PROTECTION WILL NOT BE LIABLE UNDER ANY CIRCUMSTANCES FOR ANY INCIDENTAL, CONSEQUENTIAL OR SPECIAL DAMAGES, INCLUDING WITHOUT LIMITATION ANY LOST PROFITS OR LABOR COSTS, ARISING FROM THE SALE, USE OR INSTALLATION OF THE GOODS, FROM THE GOODS BEING INCORPORATED INTO OR BECOMING A COMPONENT OF ANOTHER PRODUCT, FROM ANY BREACH OF THIS AGREEMENT OR FROM ANY OTHER CAUSE WHATSOEVER, WHETHER BASED ON WARRANTY (EXPRESSED OR IMPLIED) OR OTHERWISE BASED ON CONTRACT, OR ON TORT OR OTHER THEORY OF LIABILITY, AND REGARDLESS OF ANY ADVICE OR REPRESENTATIONS THAT MAY HAVE BEEN RENDERED BY NVENT EQUIPMENT PROTECTION CONCERNING THE SALE, USE OR INSTALLATION OF THE GOODS.



**nVent**  
**2100 Hoffman Way**  
**Anoka, MN 55303 USA**  
☎ **+1.763.422.2211**  
📠 **+1.763.576.3200**

**[nVent.com](http://nVent.com)**