

**TWO-DOOR FLOOR-MOUNT WITH 3-POINT LATCHES, TYPE 12**



**INDUSTRY STANDARDS**

UL 508A Listed; Type 12; File No. E61997  
cUL Listed per CSA C22.2 No 94; Type 12; File No. E61997

NEMA/EEMAC Type 12  
CSA File No. 42186: Type 12  
IEC 60529, IP55

**APPLICATION**

Designed to house systems incorporating large components or complex mounting configurations. Three-point latching and sealing provide industry-leading protection from dust, dirt, oil and water.

**SPECIFICATIONS**

- Manufactured from 12 or 14 gauge Type 304 stainless steel
- Seams continuously welded and ground smooth; no holes or knockouts
- Strong, rigid construction with body stiffeners
- Gasketed overlapping doors eliminate need for centerpost
- Plated steel 3-point latching mechanism and key-locking handle
- Heavy-gauge continuous hinges support each door
- Data pocket, provided on door with 3-point latches, is high-impact thermoplastic
- 12-in. (305-mm) floor stands are bolted to enclosure
- Heavy-duty lifting eyes are Type 316 stainless steel
- Panel supports
- Collar studs for mounting optional panel
- Bonding provision on doors; grounding studs on body
- Accessory mounting channel in top of enclosure

**FINISH**

Enclosures are unpainted. Front, sides, top and back have smooth #4 brushed finished. Optional mild steel panels are painted white. Optional conductive panels are available.

**ACCESSORIES**

- Drip Shield Kit for Type 12 Enclosures
- Enclosure Stabilizers
- Panel Support Kit
- Panels for Type 3R, 4, 4X, 12 and 13 Enclosures

**MODIFICATION AND CUSTOMIZATION**

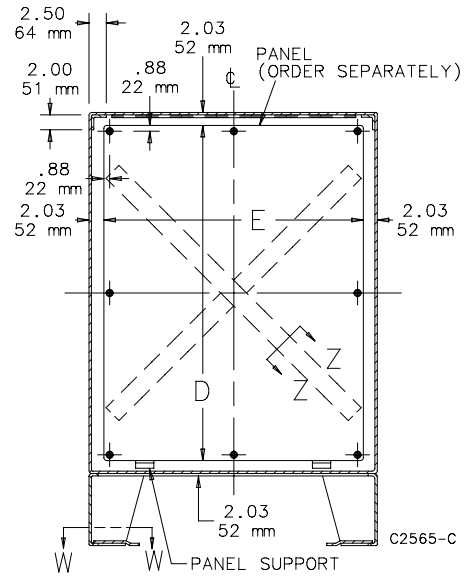
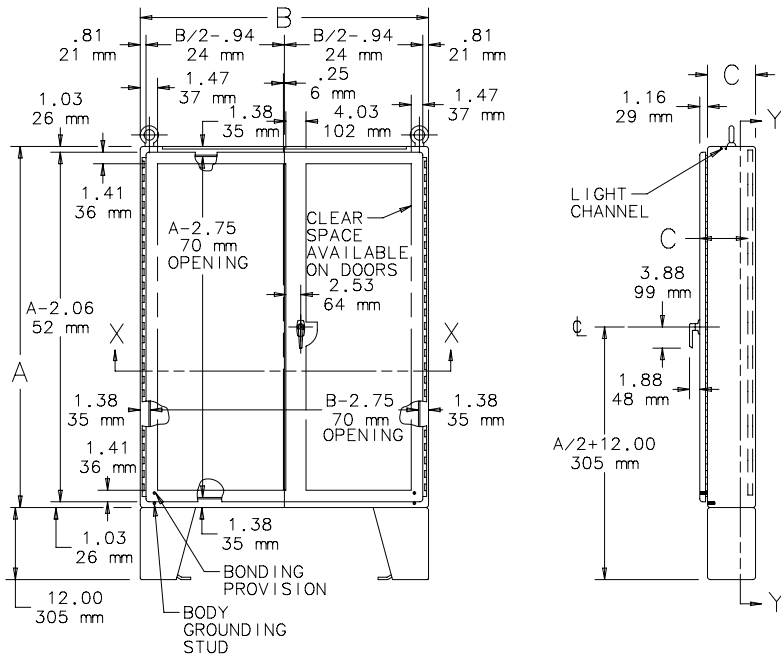
Hoffman excels at modifying and customizing products to your specifications. Contact your local Hoffman sales office or distributor for complete information.

**BULLETIN: A12S**

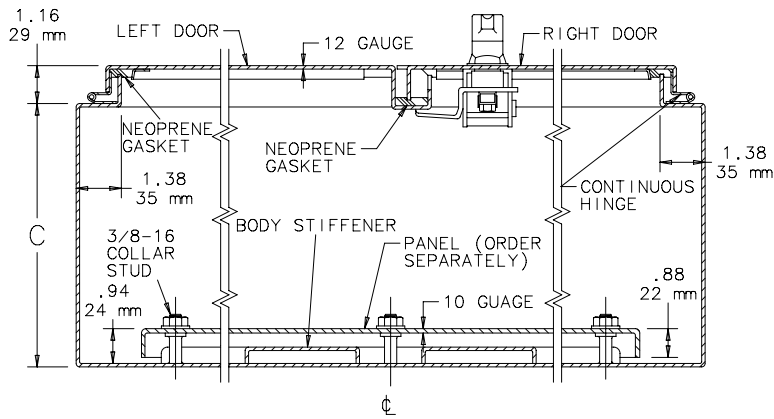
**Standard Product**

Catalog Number	AxBxC in.	AxBxC mm	Gauge	Panel	Galvanized Panel	Panel Gauge	Panel Size D x E (in.)	Panel Size D x E (mm)	Stiffener (Body)
A544208SSLP	54.00 x 42.00 x 8.00	1372 x 1067 x 203	14	A54P42	A54P42G	11	50.00 x 38.00	1270 x 965	3
A604808SSLP	60.06 x 48.06 x 8.06	1526 x 1221 x 205	12	A60P48	A60P48G	11	56.00 x 44.00	1422 x 1118	1 (X-form)
A604810SSLP	60.06 x 48.06 x 10.06	1526 x 1221 x 256	12	A60P48	A60P48G	11	56.00 x 44.00	1422 x 1118	1 (X-form)
A606010SSLP	60.06 x 60.06 x 10.06	1526 x 1526 x 256	12	A60P60	A60P60G	11	56.00 x 56.00	1422 x 1422	1 (X-form)
A726010USSLP	72.06 x 60.06 x 10.06	1830 x 1526 x 256	12	A72P60	A72P60G	11	68.00 x 56.00	1727 x 1422	1 (X-form)
A727210USSLP	72.06 x 72.06 x 10.06	1830 x 1830 x 256	12	A72P72	A72P72G	11	68.00 x 68.00	1727 x 1727	1 (X-form)
A604812SSLP	60.06 x 48.06 x 12.06	1526 x 1221 x 306	12	A60P48	A60P48G	11	56.00 x 44.00	1422 x 1118	1 (X-form)
A606012SSLP	60.06 x 60.06 x 12.06	1526 x 1526 x 306	12	A60P60	A60P60G	11	56.00 x 56.00	1422 x 1422	1 (X-form)
A726012USSLP	72.06 x 60.06 x 12.06	1830 x 1526 x 306	12	A72P60	A72P60G	11	68.00 x 56.00	1727 x 1422	1 (X-form)
A727212USSLP	72.06 x 72.06 x 12.06	1830 x 1830 x 306	12	A72P72	A72P72G	11	68.00 x 68.00	1727 x 1727	1 (X-form)
A604816SSLP	60.06 x 48.06 x 16.06	1526 x 1221 x 408	12	A60P48	A60P48G	11	56.00 x 44.00	1422 x 1118	1 (X-form)
A606016SSLP	60.06 x 60.06 x 16.06	1526 x 1526 x 408	12	A60P60	A60P60G	11	56.00 x 56.00	1422 x 1422	1 (X-form)
A726016USSLP	72.06 x 60.06 x 16.06	1830 x 1526 x 408	12	A72P60	A72P60G	11	68.00 x 56.00	1727 x 1422	1 (X-form)
A727216USSLP	72.06 x 72.06 x 16.06	1830 x 1830 x 408	12	A72P72	A72P72G	11	68.00 x 68.00	1727 x 1727	1 (X-form)
A604820SSLP	60.06 x 48.06 x 20.06	1526 x 1221 x 510	12	A60P48	A60P48G	11	56.00 x 44.00	1422 x 1118	1 (X-form)
A726020USSLP	72.06 x 60.06 x 20.06	1830 x 1526 x 510	12	A72P60	A72P60G	11	68.00 x 56.00	1727 x 1422	1 (X-form)
A727220USSLP	72.06 x 72.06 x 20.06	1830 x 1830 x 510	12	A72P72	A72P72G	11	68.00 x 68.00	1727 x 1727	1 (X-form)
A604824SSLP	60.06 x 48.06 x 24.06	1526 x 1221 x 611	12	A60P48	A60P48G	11	56.00 x 44.00	1422 x 1118	1 (X-form)
A606024SSLP	60.06 x 60.06 x 24.06	1526 x 1526 x 611	12	A60P60	A60P60G	11	56.00 x 56.00	1422 x 1422	1 (X-form)
A726024USSLP	72.06 x 60.06 x 24.06	1830 x 1526 x 611	12	A72P60	A72P60G	11	68.00 x 56.00	1727 x 1422	1 (X-form)
A727224USSLP	72.06 x 72.06 x 24.06	1830 x 1830 x 611	12	A72P72	A72P72G	11	68.00 x 68.00	1727 x 1727	1 (X-form)

Purchase panels separately.

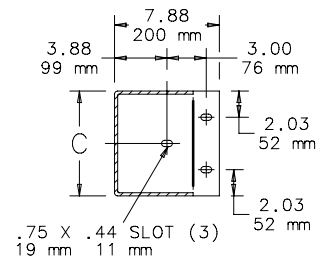


SECTION Y-Y



SECTION X-X  
(LIFTING ANGLES AND LIGHT CHANNEL NOT SHOWN)

NOTE:  
Right door has removable 12 x 12.00 (305mm x 305mm) data pocket



SECTION W-W

