

## CLIMAGUARD AIR-TO-WATER INDOOR HEAT EXCHANGERS



### INDUSTRY STANDARDS

CE  
EAC (230V models only)  
IP55/IP54

### APPLICATION

- Industrial process controls
- Industrial robotics controls
- Electronic cabinets in harsh environments
- Conveyor systems

### FEATURES

- Capacities ranging from 870 watts to 12500 watts
- Filterless design
- NEMA power cord connection standard
- Copper pipe and aluminum fins heat exchanger core
- Air movers with thermal protection
- Regulating mechanical thermostat set at 35 C (95 F), differential of 4 C (7 F)
- Inside cabinet temperature from 10-50 C (50-122 F)
- Ambient operating temperature range from 10-70 C (50-158 F)
- Solenoid water valve
- UL Listed to save customers time and money with agency approvals
- Recovery of condensation system and condensation discharge pipe
- Requires an available cooled water source

### FINISH

- Standard models constructed of rugged steel
- RAL 7035 light-gray, powder-coat polyester paint

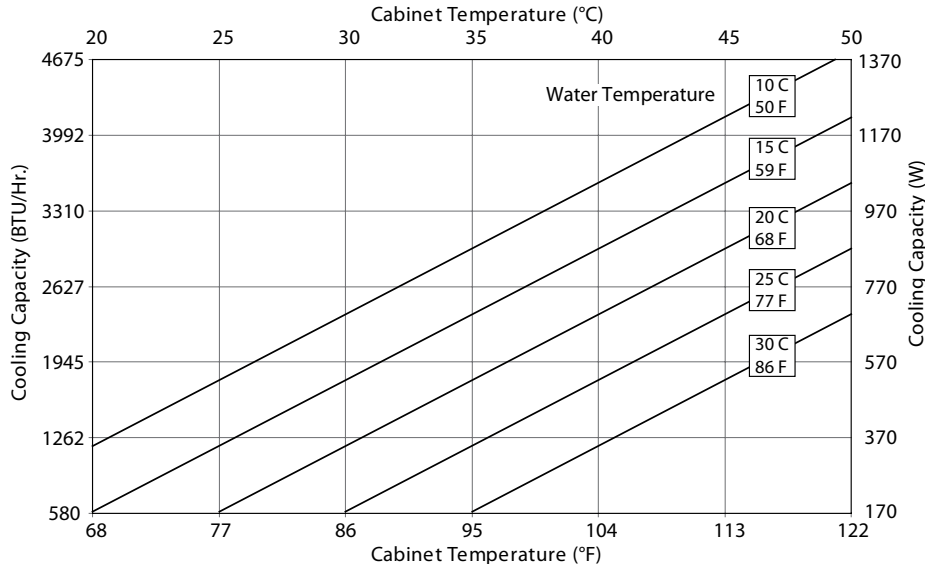
### NOTES

Visit [www.PentairProtect.com](http://www.PentairProtect.com) to download 2D and 3D CAD drawings into the overall design of your electrical system.

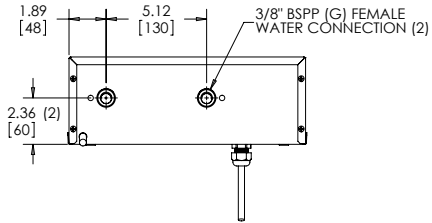
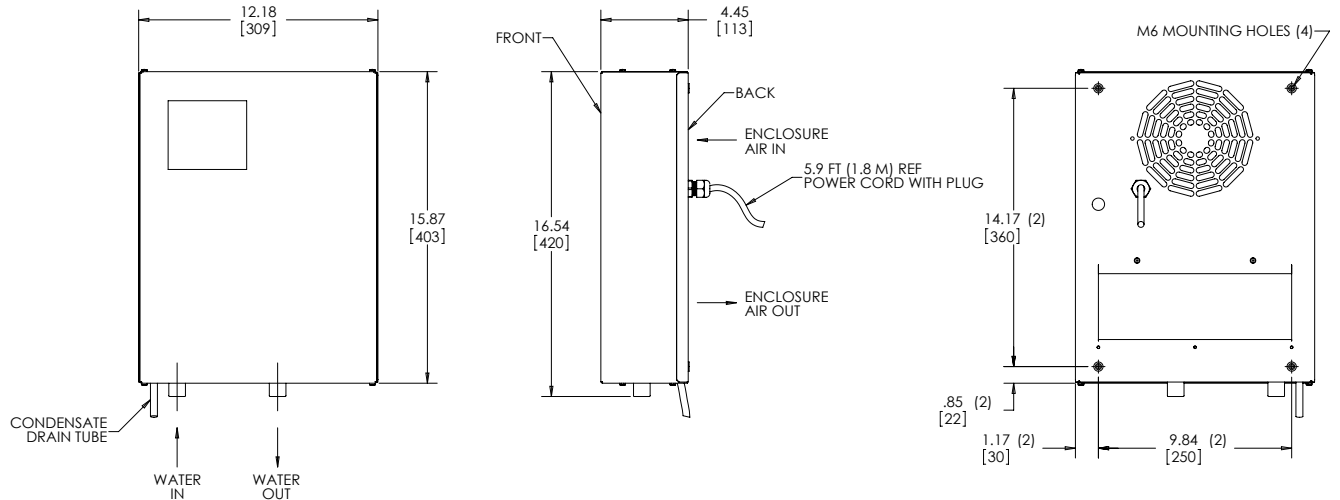
Performance Data **WCHE01 Models 870 Watt**

<b>CATALOG NUMBER</b>		
Indoor Model	WCHE01926002	WCHE01926005
Indoor Model Stainless Steel		WCHE01926006
<b>COOLING PERFORMANCE</b>		
Nominal:		
<b>BTU/Hr. @ Δt 25 C</b>	<b>2968</b>	<b>2968</b>
<b>Watts @ Δt 25 C</b>	<b>870</b>	<b>870</b>
Refrigerant	NA	NA
Refrigerant Charge (ounces/grams)	NA	NA
Inside Cabinet Temperature Range:		
Maximum (°F/°C)	122/50	122/50
Minimum (°F/°C)	50/10	50/10
Ambient Operating Temperature Range:		
Maximum (°F/°C)	158/70	158/70
Minimum (°F/°C)	50/10	50/10
Flow at 0 Static Pressure:		
Internal loop 50 Hz (Airflow: CFM / m <sup>3</sup> /hr.)	194/330	194/330
External loop 50 Hz (Waterflow: GPM @ 95 F)	0.66	0.66
Internal loop 60 Hz (Airflow: CFM / m <sup>3</sup> /hr.)	194/330	194/330
External loop 60 Hz (Waterflow: GPM @ 95 F)	0.66	0.66
<b>ELECTRICAL DATA</b>		
<b>Rated Voltage</b>	<b>230</b>	<b>230</b>
Frequency (Hz)	50/60	50/60
Operating Range	+/- 10%	+/- 10%
Max. Power Consumption (W at 50/60 Hz)	28	28
Max. Nominal Current (A at 50/60 Hz)	0.5	0.5
Starting Current (Amps)	0.7	0.7
Agency Approvals	CE, EAC	CE, EAC
Power Input Description	Cord with NE MA 6-15 plug	3 meter cable with open ends
<b>ENCLOSURE PROTECTION</b>		
UL Type	IP55	IP55
<b>CONTROLLER</b>		
Description	Basic Mechanical Thermostat	
Thermostat Location	Behind front cover, near the fan	
Factory Thermostat Setting (°F/°C)	95/35	95/35
<b>SOUND LEVEL</b>		
At 1.0 Meters	58 dBA	58 dBA
<b>UNIT CONSTRUCTION</b>		
Material	Mild Steel Sheet Metal Type 304 Stainless Steel	
Finish	RAL 7035 light-gray, semi-textured powder-coat paint Stainless Steel	
<b>UNIT DIMENSIONS</b>		
Height (in./mm)	15.90/404	
Width (in./mm)	12.12/308	
Depth (in./mm)	4.49/114	
Weight (lb./kg)	19.84/9	

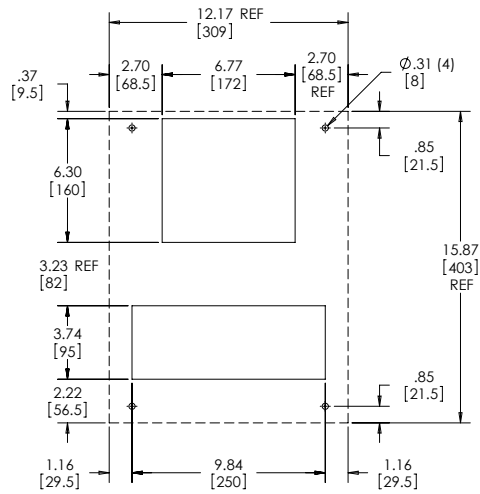
Performance Curves for WCHE01 Models 870 Watt



## WCHE01 Models 870 Watt



NOTE: "G" to NPT adapting valves are included and shipped with the unit.



89091145

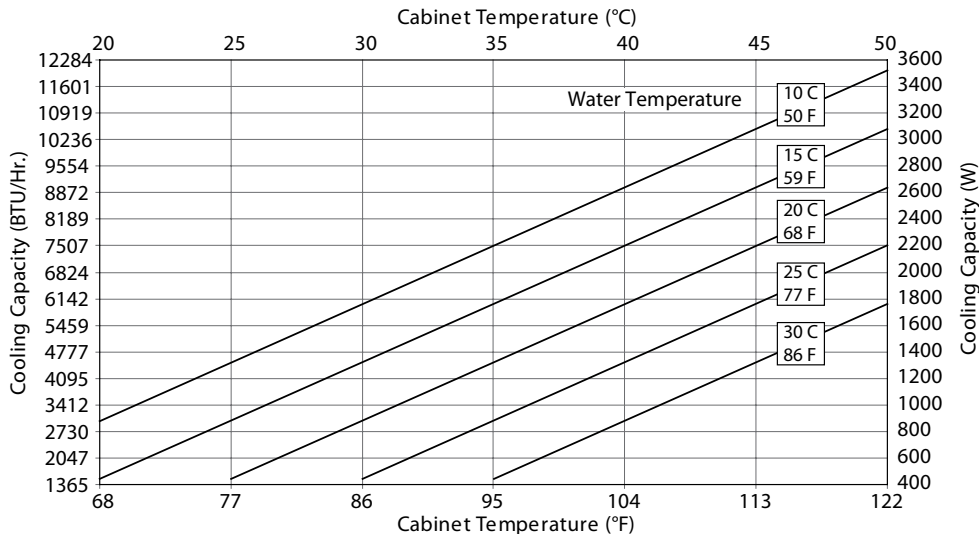
## CUTOUT DIMENSIONS

Visit [www.PentairProtect.com](http://www.PentairProtect.com) to download 2D and 3D CAD drawings into the overall design of your electrical system.

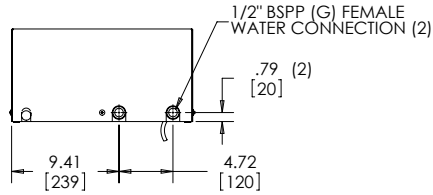
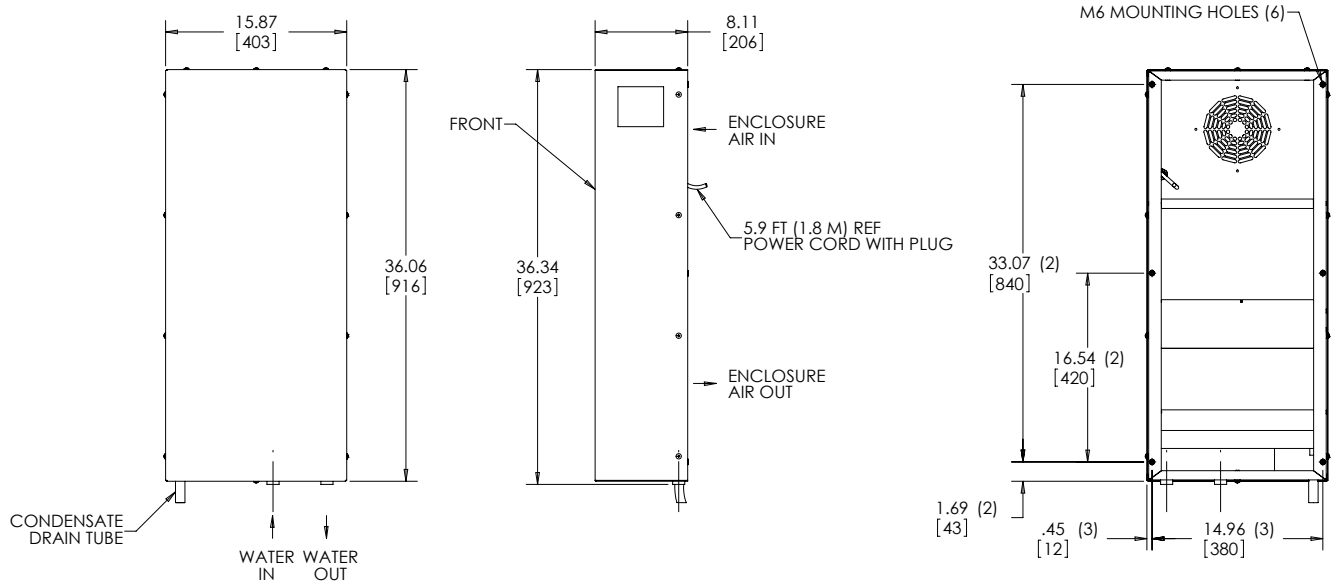
Performance Data **WCHE04 Models 2200 Watt**

<b>CATALOG NUMBER</b>		
Indoor Model	WCHE04926002	WCHE04926005
Indoor Model Stainless Steel		WCHE04926006
<b>COOLING PERFORMANCE</b>		
Nominal:		
<b>BTU/Hr. @ Δt 25 C</b>	<b>7506</b>	<b>7506</b>
<b>Watts @ Δt 25 C</b>	<b>2200</b>	<b>2200</b>
Refrigerant	NA	NA
Refrigerant Charge (ounces/grams)	NA	NA
Inside Cabinet Temperature Range:		
Maximum (°F/°C)	122/50	122/50
Minimum (°F/°C)	50/10	50/10
Ambient Operating Temperature Range:		
Maximum (°F/°C)	158/70	158/70
Minimum (°F/°C)	50/10	50/10
Flow at 0 Static Pressure:		
Internal loop 50 Hz (Airflow: CFM / m <sup>3</sup> /hr.)	339/575	339/575
External loop 50 Hz (Waterflow: GPM @ 95 F)	0.66	0.66
Internal loop 60 Hz (Airflow: CFM / m <sup>3</sup> /hr.)	339/575	339/575
External loop 60 Hz (Waterflow: GPM @ 95 F)	0.66	0.66
<b>ELECTRICAL DATA</b>		
<b>Rated Voltage</b>	230	230
Frequency (Hz)	50/60	50/60
Operating Range	+/- 10%	+/- 10%
Max. Power Consumption (W at 50/60 Hz)	90	90
Max. Nominal Current (A at 50/60 Hz)	0.8	0.8
Starting Current (Amps)	1	1
Agency Approvals	CE, EAC	CE, EAC
Power Input Description	Cord with NE MA 6-15 plug	3 meter cable with open ends
<b>ENCLOSURE PROTECTION</b>		
UL Type	IP55	IP55
<b>CONTROLLER</b>		
Description	Basic Mechanical Thermostat	
Thermostat Location	Behind front cover, near the fan	
Factory Thermostat Setting (°F/°C)	95/35	95/35
<b>SOUND LEVEL</b>		
At 1.0 Meters	58 dBA	58 dBA
<b>UNIT CONSTRUCTION</b>		
Material	Mild Steel Sheet Metal Type 304 Stainless Steel	
Finish	RAL 7035 light-gray, semi-textured powder-coat paint Stainless Steel	
<b>UNIT DIMENSIONS</b>		
Height (in./mm)	36.41/925	
Width (in./mm)	15.75/400	
Depth (in./mm)	8.07/205	
Weight (lb./kg)	44.10/20	

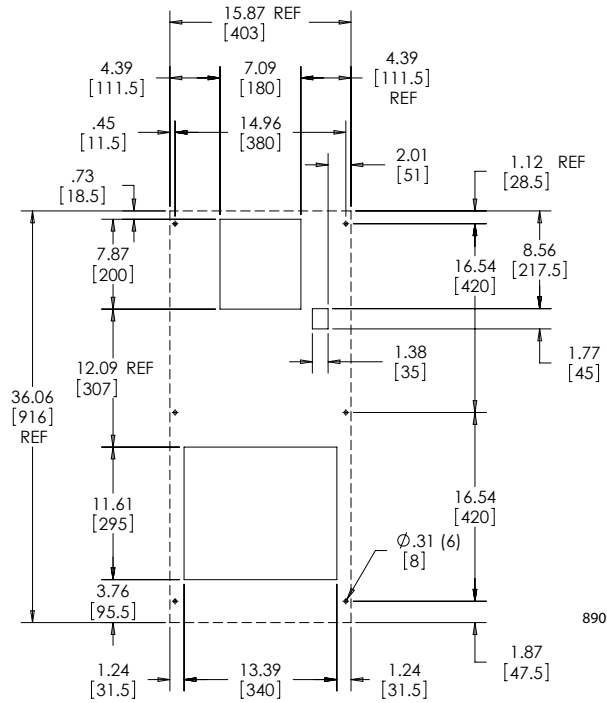
Performance Curves for WCHE04 Models 2200 Watt



WCHE04 Models 2200 Watt



NOTE: "G" to NPT adapting valves are included and shipped with the unit.



89091146

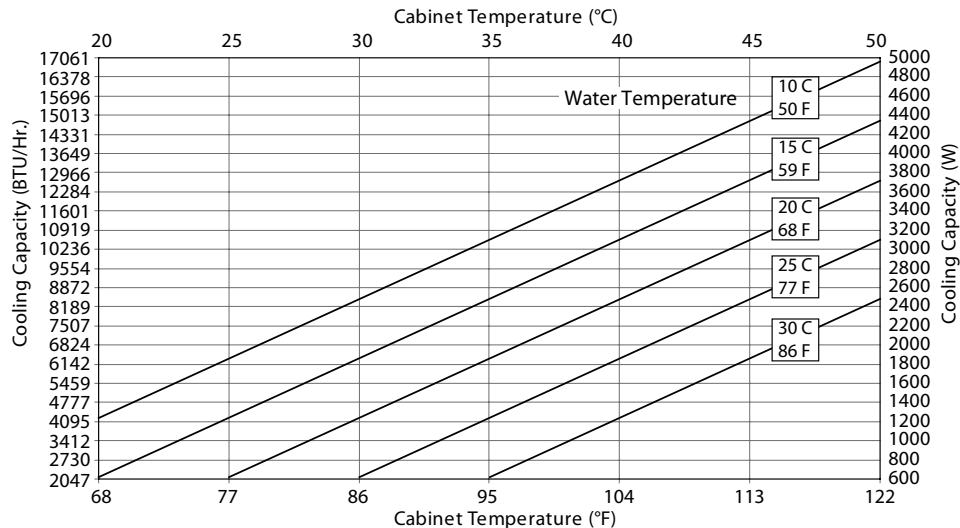
CUTOUT DIMENSIONS

Visit [www.PentairProtect.com](http://www.PentairProtect.com) to download 2D and 3D CAD drawings into the overall design of your electrical system.

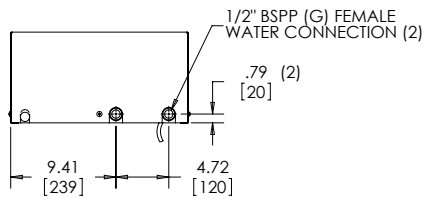
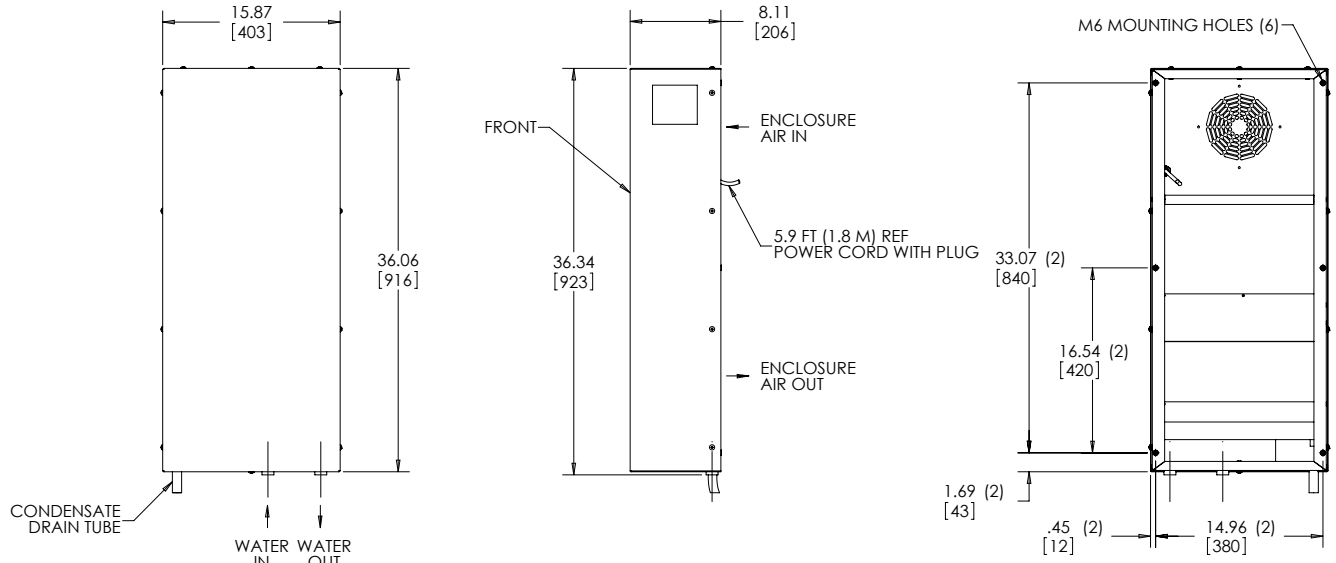
Performance Data **WCHE06 Models 3100 Watt**

CATALOG NUMBER		
Indoor Model	WCHE06926002	WCHE06926005
Indoor Model Stainless Steel		WCHE06926006
COOLING PERFORMANCE		
Nominal:		
<b>BTU/Hr. @ Δt 25 C</b>	<b>10577</b>	<b>10577</b>
<b>Watts @ Δt 25 C</b>	<b>3100</b>	<b>3100</b>
Refrigerant	NA	NA
Refrigerant Charge (ounces/grams)	NA	NA
Inside Cabinet Temperature Range:		
Maximum (°F/°C)	122/50	122/50
Minimum (°F/°C)	50/10	50/10
Ambient Operating Temperature Range:		
Maximum (°F/°C)	158/70	158/70
Minimum (°F/°C)	50/10	50/10
Flow at 0 Static Pressure:		
Internal loop 50 Hz (Airflow: CFM / m <sup>3</sup> /hr.)	507/860	507/860
External loop 50 Hz (Waterflow: GPM @ 95 F)	2.20	2.20
Internal loop 60 Hz (Airflow: CFM / m <sup>3</sup> /hr.)	507/860	507/860
External loop 60 Hz (Waterflow: GPM @ 95 F)	2.20	2.20
ELECTRICAL DATA		
<b>Rated Voltage</b>	230	230
Frequency (Hz)	50/60	50/60
Operating Range	+/- 10%	+/- 10%
Max. Power Consumption (W at 50/60 Hz)	115	115
Max. Nominal Current (A at 50/60 Hz)	1	1
Starting Current (Amps)	1.20	1.20
Agency Approvals	CE, EAC	CE, EAC
Power Input Description	Cord with NE MA 6-15 plug	3 meter cable with open ends
ENCLOSURE PROTECTION		
UL Type	IP55	IP55
CONTROLLER		
Description	Basic Mechanical Thermostat	
Thermostat Location	Behind front cover, near the fan	
Factory Thermostat Setting (°F/°C)	95/35	95/35
SOUND LEVEL		
At 1.0 Meters	58 dBA	58 dBA
UNIT CONSTRUCTION		
Material	Mild Steel Sheet Metal Type 304 Stainless Steel	
Finish	RAL 7035 light-gray, semi-textured powder-coat paint Stainless Steel	
UNIT DIMENSIONS		
Height (in./mm)	36.41/925	
Width (in./mm)	15.75/400	
Depth (in./mm)	8.07/205	
Weight (lb./kg)	46.30/21	

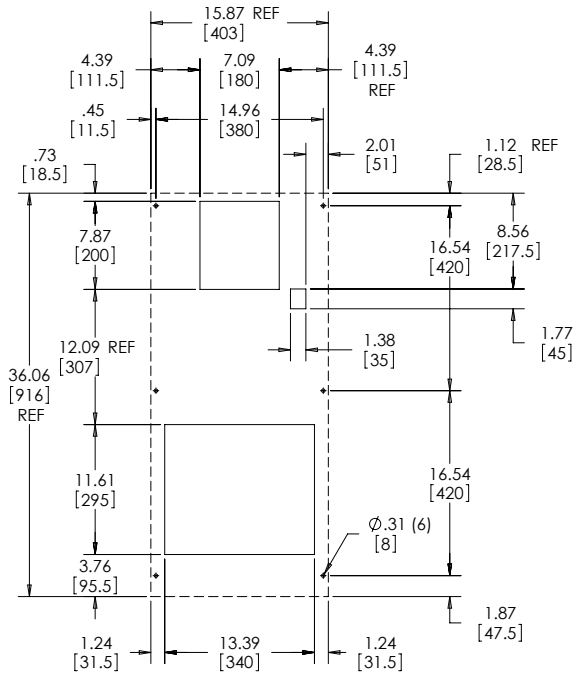
Performance Curves for WCHE06 Models 3100 Watt



WCHE06 Models 3100 Watt



NOTE: "G" to NPT adapting valves are included and shipped with the unit.



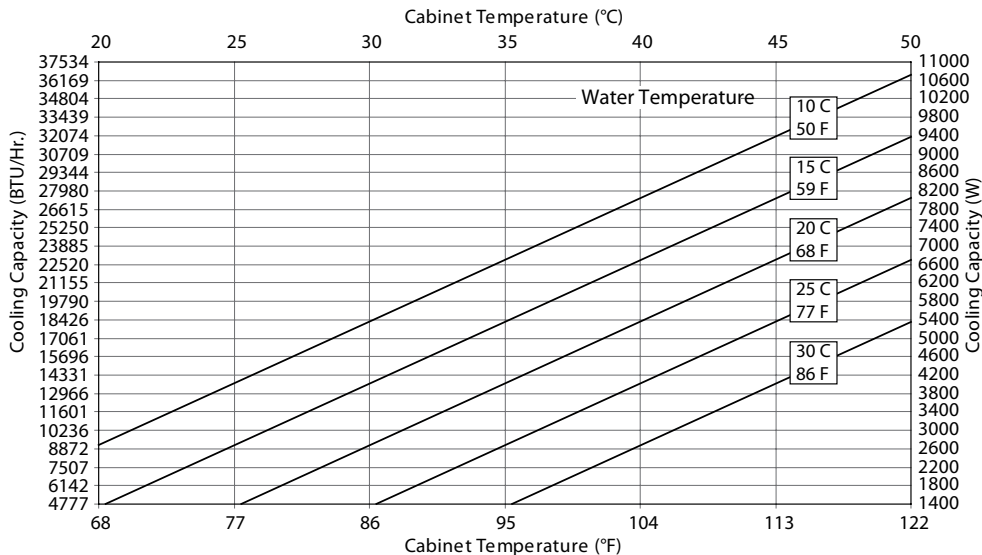
89091147

Visit [www.PentairProtect.com](http://www.PentairProtect.com) to download 2D and 3D CAD drawings into the overall design of your electrical system.

Performance Data **WCHE14 Models 6700 Watt**

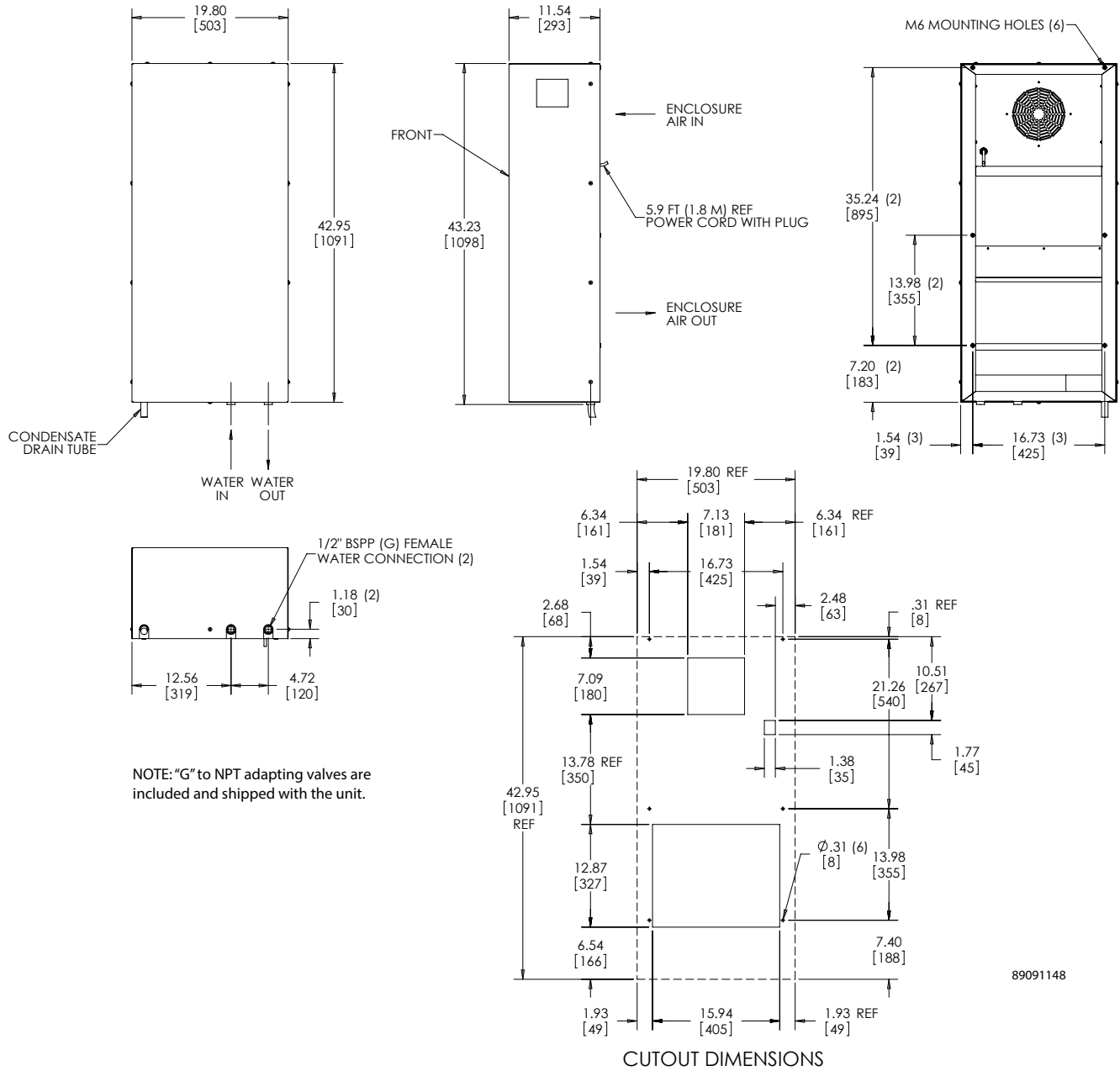
<b>CATALOG NUMBER</b>		
Indoor Model	WCHE14926002	WCHE14926005
Indoor Model Stainless Steel		WCHE14926006
<b>COOLING PERFORMANCE</b>		
Nominal:		
<b>BTU/Hr. @ Δt 25 C</b>	<b>22861</b>	<b>22861</b>
<b>Watts @ Δt 25 C</b>	<b>6700</b>	<b>6700</b>
Refrigerant	NA	NA
Refrigerant Charge (ounces/grams)	NA	NA
Inside Cabinet Temperature Range:		
Maximum (°F/°C)	122/50	122/50
Minimum (°F/°C)	50/10	50/10
Ambient Operating Temperature Range:		
Maximum (°F/°C)	158/70	158/70
Minimum (°F/°C)	50/10	50/10
Flow at 0 Static Pressure:		
Internal loop 50 Hz (Airflow: CFM / m <sup>3</sup> /hr.)	855/1450	855/1450
External loop 50 Hz (Waterflow: GPM @ 95 F)	3.78	3.78
Internal loop 60 Hz (Airflow: CFM / m <sup>3</sup> /hr.)	855/1450	855/1450
External loop 60 Hz (Waterflow: GPM @ 95 F)	3.78	3.78
<b>ELECTRICAL DATA</b>		
<b>Rated Voltage</b>	230	230
Frequency (Hz)	50/60	50/60
Operating Range	+/- 10%	+/- 10%
Max. Power Consumption (W at 50/60 Hz)	245	245
Max. Nominal Current (A at 50/60 Hz)	1.30	1.30
Starting Current (Amps)	1.40	1.40
Agency Approvals	CE, EAC	CE, EAC
Power Input Description	Cord with NE MA 6-15 plug	3 meter cable with open ends
<b>ENCLOSURE PROTECTION</b>		
UL Type	IP55	IP55
<b>CONTROLLER</b>		
Description	Basic Mechanical Thermostat	
Thermostat Location	Behind front cover, near the fan	
Factory Thermostat Setting (°F/°C)	95/35	95/35
<b>SOUND LEVEL</b>		
At 1.0 Meters	58 dBA	58 dBA
<b>UNIT CONSTRUCTION</b>		
Material	Mild Steel Sheet Metal Type 304 Stainless Steel	
Finish	RAL 7035 light-gray, semi-textured powder-coat paint Stainless Steel	
<b>UNIT DIMENSIONS</b>		
Height (in./mm)	43.34/1101	
Width (in./mm)	19.72/501	
Depth (in./mm)	11.81/300	
Weight (lb./kg)	86.00/39	

Performance Curves for **WCHE14 Models 6700 Watt**





## WCHE14 Models 6700 Watt



89091148

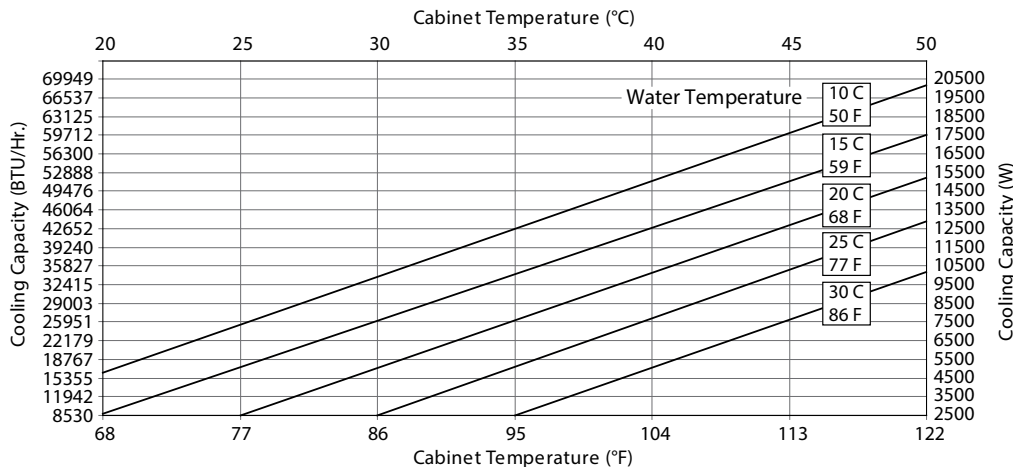
NOTE: "G" to NPT adapting valves are included and shipped with the unit.

Visit [www.PentairProtect.com](http://www.PentairProtect.com) to download 2D and 3D CAD drawings into the overall design of your electrical system.

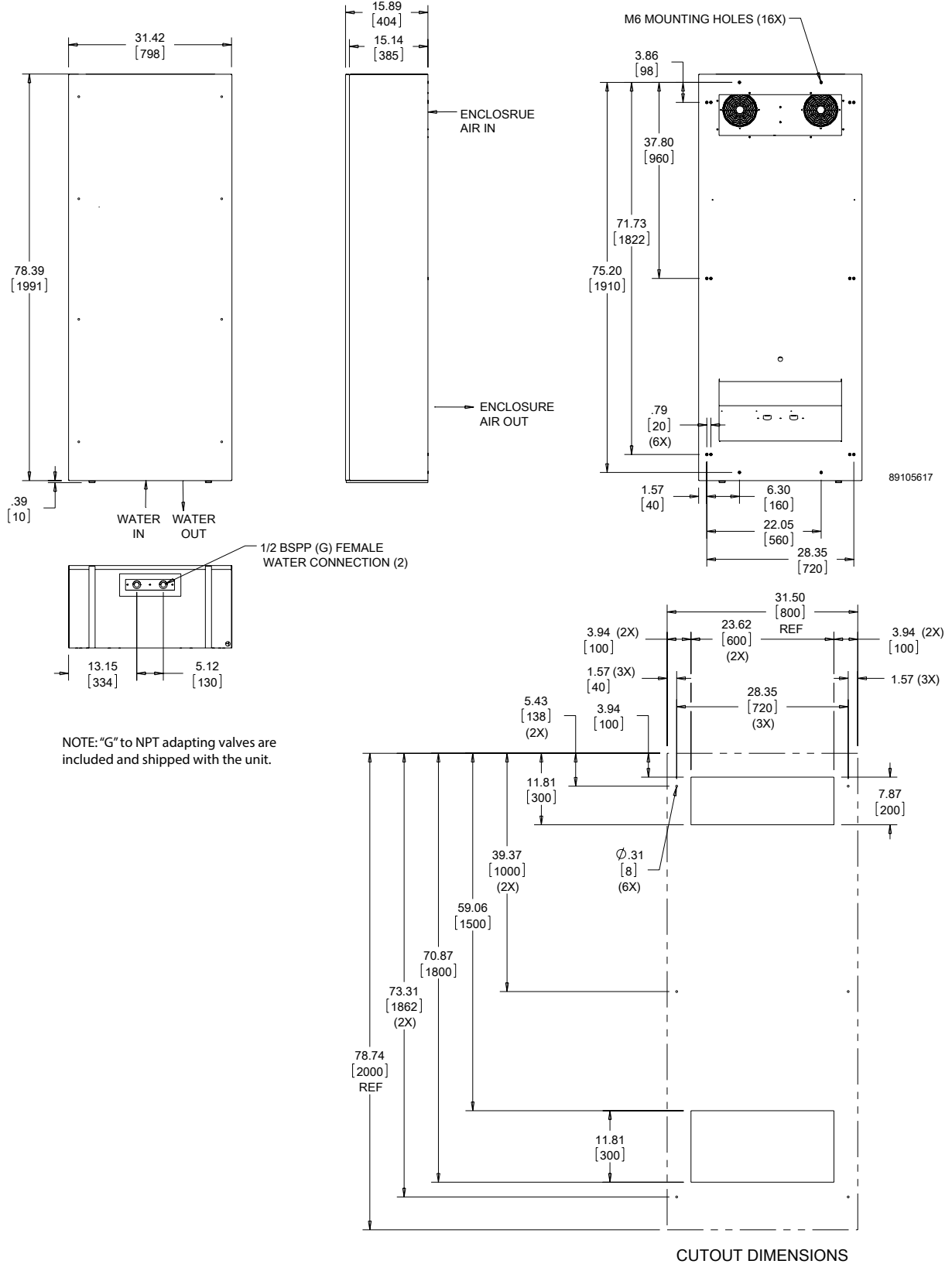
Performance Data **WCHE27 Models 12500 Watt**

CATALOG NUMBER		
Indoor Model	WCHE27826005	WCHE27846005
Indoor Model Stainless Steel	WCHE27826006	WCHE27846006
COOLING PERFORMANCE		
Nominal:		
<b>BTU/Hr. @ Δt 25 C</b>	42650	42650
<b>Watts @ Δt 25 C</b>	12500	12500
Refrigerant	NA	NA
Refrigerant Charge (ounces/grams)	NA	NA
Inside Cabinet Temperature Range:		
Maximum (°F/°C)	122/50	122/50
Minimum (°F/°C)	50/10	50/10
Ambient Operating Temperature Range:		
Maximum (°F/°C)	158/70	158/70
Minimum (°F/°C)	50/10	50/10
Flow at 0 Static Pressure:		
Internal loop 50 Hz (Airflow: CFM / m <sup>3</sup> /hr.)	1707/2900	1707/2900
External loop 50 Hz (Waterflow: GPM @ 95 F)	5.28	5.28
Internal loop 60 Hz (Airflow: CFM / m <sup>3</sup> /hr.)	1707/2900	1707/2900
External loop 60 Hz (Waterflow: GPM @ 95 F)	5.28	5.28
ELECTRICAL DATA		
<b>Rated Voltage</b>	230	400/440
Frequency (Hz)	50/60	50/60
Operating Range	+/- 10%	+/- 10%
Max. Power Consumption (W at 50/60 Hz)	400/520	400/520
Max. Nominal Current (A at 50/60 Hz)	1.65/2.15	1/1.18
Starting Current (Amps)	1.9/2.4	1.2/1.4
Agency Approvals	CE, EAC	CE
Power Input Description	3 meter cable with open ends	3 meter cable with open ends
ENCLOSURE PROTECTION		
UL Type	IP54	IP54
CONTROLLER		
Description	Basic Mechanical Thermostat	
Thermostat Location	Behind front cover, near the fan	
Factory Thermostat Setting (°F/°C)	95/35	95/35
SOUND LEVEL		
At 1.0 Meters	60 dBA	60 dBA
UNIT CONSTRUCTION		
Material	Mild Steel Sheet Metal	Mild Steel Sheet Metal Type 304 Stainless Steel
Finish	RAL 7035 light-gray, semi-textured powder-coat paint	RAL 7035 light-gray, semi-textured powder-coat paint Stainless Steel
UNIT DIMENSIONS		
Height (in./mm)	78.74/2000	78.74/2000
Width (in./mm)	31.50/800	31.50/800
Depth (in./mm)	15.74/400	15.74/400
Weight (lb./kg)	198/90	198/90

Performance Curves for WCHE27 Models 12500 Watt



WCHE27 Models 12500 Watt



NOTE: "G" to NPT adapting valves are included and shipped with the unit.

CUTOUT DIMENSIONS

Visit [www.PentairProtect.com](http://www.PentairProtect.com) to download 2D and 3D CAD drawings into the overall design of your electrical system.

Notes